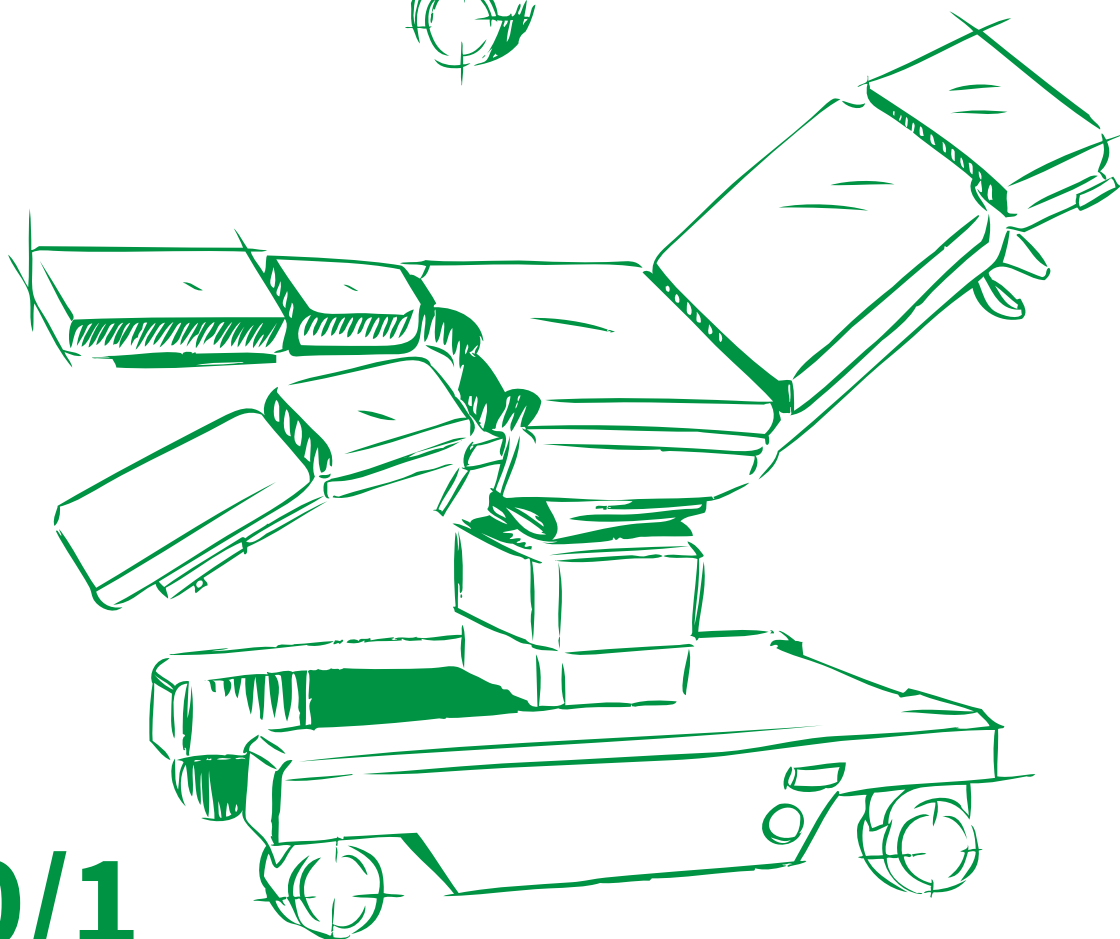
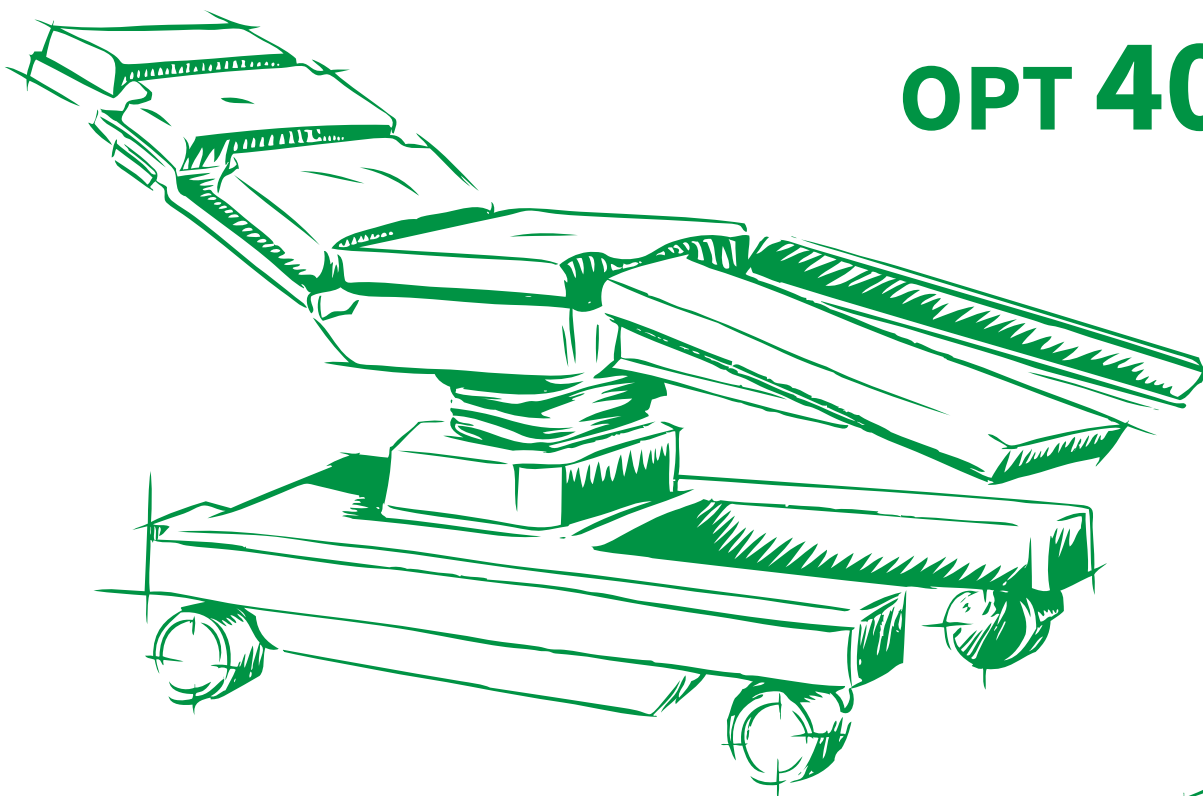


SurgiSystems

OPT 40/1



OPT 30/1

OPT SurgiSystems is an Italian brand and manufacturer of operating tables and OR accessories of the highest quality. OPT's production and headquarters are located in Calliano (Trento), Italy.

For more than 90 years the company has improved the patient's quality of life by manufacturing ideal electro-medical high-end equipment. The long experience in this field leads to the creation of medical devices designed for the global market and able to meet the needs of healthcare professionals all over the world and facilitate their work.

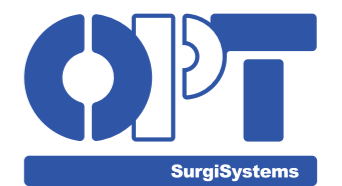
The company manufactures products, which confronts themselves with state-of-the-art global surgery. We satisfy the clinical needs with our technological, innovative devices designed with the highest reliability.

As a result OPT SurgiSystems is one of the leaders on the national and international markets and is constantly working on its development and perfection. Close collaboration with the surgical world and attention to each detail are essential parts of our final success.





Dedicated to **you**,
who are taking care of **us**.



www.opt-ita.com



The future surgery needs long lasting, easy to use operating tables which are suitable for every surgical discipline. Focusing on these needs, OPT has added to its product range **two models of mobile operating tables: OPT 40/1 and OPT 30/1.**

OPT SurgiSystems designs medical devices for the global market in order to satisfy clinical needs and to meet the requirements of modern Operating Rooms **ensuring cost-effective management.** OPT 40/1 and OPT 30/1 are universal operating tables suitable for all surgical specialties and developed with the highest quality and performance.

Each element has been designed to be efficient, practical for OR operators and comfortable for patients even during long lasting interventions.

Furthermore, the operating table **OPT 30/1 is available in two versions:** standard universal table (type A) and universal table with manual body elevator (type B).

| Features | OPT 40/1 code 5614041 | OPT 30/1 type A code 5608031 | OPT 30/1 type B code 5609032 |
|---------------------------------------|--------------------------|---------------------------------|---------------------------------|
| Electro-hydraulic movements | | | |
| Height variation | • | • | • |
| Trendelenburg / Reverse Trendelenburg | • | • | • |
| Bilateral tilt | • | • | • |
| Longitudinal slide | • | | |
| Inclinable lower back section | • | | |
| Flex / Reflex | • | | |
| Self-levelling | • | • | • |
| Assisted movements | | | |
| Gas assisted leg section | • | • | • |
| Inclinable head section | • | • | • |
| Gas assisted back section | | • | • |
| Manual body elevator | | | • |

MOBILE OPERATING TABLE

OPT 40/1



OPERATING TABLE

Versatile and universal

OPT 40/1 is a mobile operating table with fixed table top that performs all the necessary positions required in modern surgery. The operating table has been developed for a perfect vision of the surgical field and with respect to the safety and comfort of both patient and user. It is a state-of-the-art product in terms of innovative and aesthetic criteria, rationality in every detail, safe use and versatility.

Ergonomics

The operating table has been designed to simplify the daily activities of the OR staff and to increase the patients' safety and comfort in order to prevent injuries caused by decubitus. The base of the table is compact and has a small footprint in order to allow a better access to the operating area.



Modularity

OPT 40/1 has a modular table top that consists of a central section with an integrated lower back section. Numerous components can be added to the table top (i.e. head and leg sections and elongation plates). This allows the OR staff to set a configuration quickly and simply, adapting the table to the patient's size and surgical needs. The side rails are placed on entire length of the table top for various accessories.



Universal

Thanks to the wide and complete set of accessories and components, the operating table OPT 40/1 is flexible and satisfies the needs of modern operating theatres. With only one table top it is possible to **perform every surgical position** in an OR in a fast and easy way.

MOBILITY

Precision in movement

Manoeuvrability

OPT 40/1 has a simple and practical manoeuvrability and is completely safe thanks to 4 swivelling castors. They allow an easy control of the table even in narrow spaces. The castors also have a special cover to protect them against accidental impacts and infiltration.



Stability

The swivelling castors have an integrated pins system which is activated by a foot pedal. The pins system can lock the table in the required position and thus ensuring maximum stability in any surgical operation.



5th wheel (optional)

The operating table OPT 40/1 can be supplied with an optional 5th retractable wheel. The 5th wheel allows the user to comfortably and safely move the table in case of long transfers or even in case of obese patients' transportation.



TECHNICAL FEATURES

Know-how acquired in more than 90 years of experience

Attachment system

The attachment system allows to hook/unhook the sections of the table in a rapid and safe way. The system has been designed for a maximum safety of the OR operators in their daily activity.

Modularity and flexibility

The easy modularity of OPT 40/1 increases the flexibility of the OR. For instance, it allows to change the table configuration quickly and easily according to the required surgical discipline and thus adapting to the needs of OR staff.



Remote panel integrated to the column

An integrated remote panel, placed on the column allows to perform all electrical movements of both column and table top. In addition, on the base of the column there are three luminous indicators of the battery charge status and of the correct data transmission.

Column all included

The column contains all the components designed for table functioning including the power supply. Therefore, even in case of discharged batteries, there is no external power supply that could disturb the operators.

Electro-polishing

The electro-polishing procedure is currently the best technique for **stainless steel treatment**. It ensures a **longer life of the material** and a simpler cleaning of the table. After the treatment the surface is smooth, shiny and more resistant to scratches and bacterial agents.

CONTROL SYSTEM

Total control of the table in one hand

Thanks to OPT 40/1 control systems users always have a clear control of the table in all its functions.

The electrical movements of the operating table can be activated by:

- Wired and wireless remote controls
- Integrated control panel
- Foot switch
- Emergency system

Using wireless and wired remote controls it is possible to perform **all electrical movements** of the operating table OPT 40/1 (**including self-levelling**).

The remote controls have **intuitive graphic symbols** in order to make their use immediate and simple even for less experienced users.

Every remote control can be connected to a specific OPT 40/1 table through a simple and quick binding procedure.

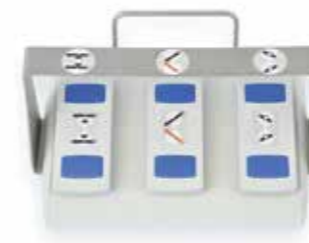
Wired and wireless remote controls



Integrated control panel



Foot switch



Emergency systems



The column of OPT 40/1 has an integrated control panel, which can also be used as an emergency control. It can activate all the column and the table top movements without the use of wired or wireless remote controls. In addition, there is a LED illumination on the panel that indicates the status of a correct functioning of the operating table.

OPT 40/1 can be controlled by a foot switch with three pedals that controls three electrical movements: height variation, Trendelenburg / Reverse Trendelenburg and bilateral tilt.

An optional emergency device with a manual pedal pump allows to perform all the table movements in case of failure in the electronics.

PERFORMANCES

Easy positioning and precise movements

To ensure an optimal exposure of the surgical site, OPT 40/1 offers the opportunity to reach the various surgical positions with respect to the safety and comfort of both patient and user.

OPT 40/1 has electro-hydraulic movements, completely independent from one another. All movements are extremely silent in order not to distract surgeons and OR staff during the intervention.

Electro-hydraulic movements

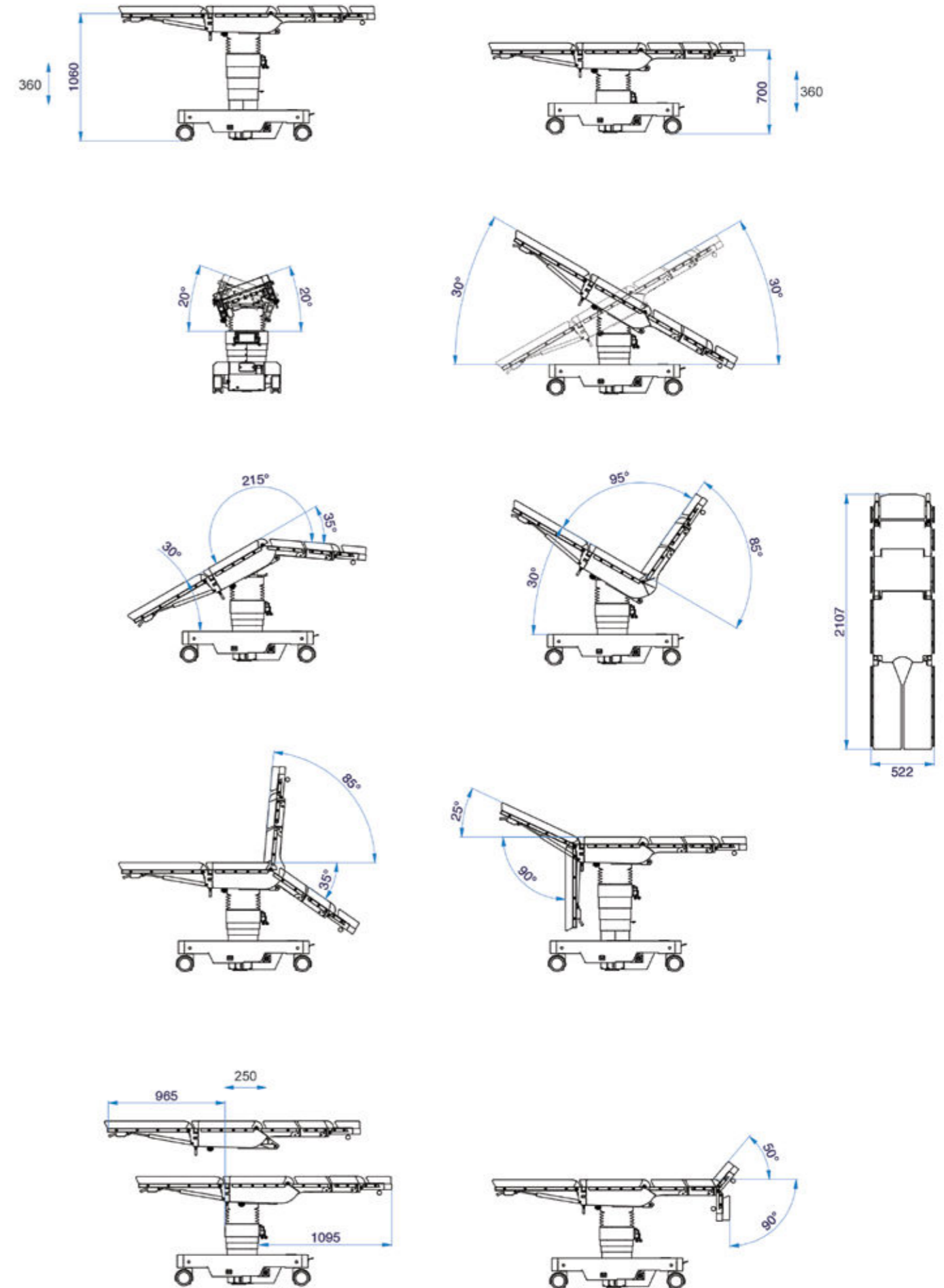
- Height variation (without cushions): 700-1.060 mm
- Trendelenburg / Reverse Trendelenburg: $\pm 30^\circ$
- Bilateral tilt: $\pm 20^\circ$
- Lower back section inclination: $+ 85^\circ/- 35^\circ$
- Longitudinal slide of the table top: 250 mm
- Flex - only one button for two different movements (back section / Reverse Trendelenburg)
- Reflex - only one button for two different movements (Trendelenburg / back section)
- Self levelling - zero automatic position of the operating table

Manual movements

- Head section adjustment (removable): $+ 35^\circ/- 72^\circ$ (tiltable without adjustment at -90°)
- Leg section adjustment: $+ 25^\circ/- 90^\circ$ (gas assisted with a lever)
- Leg section spread: Using mechanical lever system



TECHNICAL DRAWINGS



Tolerance of $\pm 2^\circ$ on angular movements and ± 3 mm on linear movements

CONSTRUCTIVE TECHNOLOGY

The tradition of innovation

Constructive features



The operating table OPT 40/1 is designed not only to satisfy the clinical needs but also to ensure longer life of the table. The column and the base of the OPT 40/1 are made of **stainless steel** and noble materials of the highest quality.

The standard cushions of the operating table are made in soft, radiolucent, antistatic, anti-decubitus and ergonomically shaped material. Their thickness of 60 mm allows a comfortable patient positioning even during long lasting operating sessions. The **total absence of stitching** on the cushions makes their cleaning extremely easy.

Radiolucency

Due to the **longitudinal slide of 250 mm** the table top has an **excellent radiolucency** of all its sections. Therefore, it allows a rational and easy use of the C-Arm. By applying carbon fibre sections to the central unit of the table it is possible to reach a **radiolucency for 360°**.



Bariatric surgery (for obese patients)

The **load capacity** of the operating table OPT 40/1 is **270 kg (600 lb)**.



SAFETY

Full safety for operator and patient



Safety

Safety is a prior focus of OPT in the development and design of all its products. The attention is paid to the patient's safety and tranquillity as well as to the safety of the operators working in the OR.

OPT 40/1 has been designed according to the safety principles, concepts and solutions which ensure the correct functionality of the table even in extreme situations.

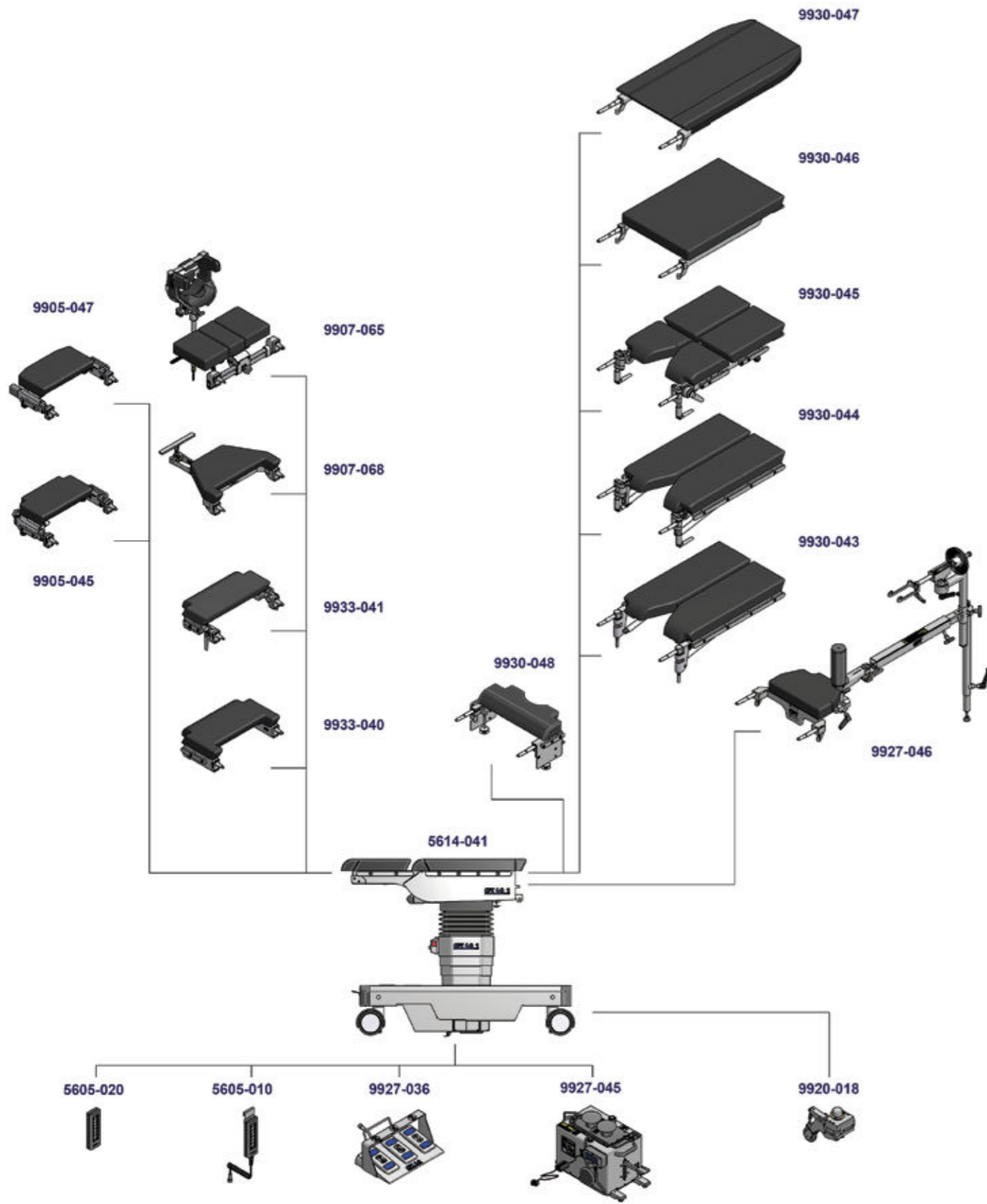
ISO Certification

OPT SurgiSystems complies with **UNI EN ISO 9001** and **UNI EN ISO 13485** certifications. The company has always used high-quality materials and has complied with the most stringent regulatory standards of design and manufacturing. It controls and tests each product before the delivery to the end user. This ensures an optimal level of functionality and safe use.

The operating table OPT 40/1 is fully compliant with the regulations **93/42/CEE, 2004/108/CE, 2006/95/EC, 2011/65/CE** and with the technical standards for medical devices **CEI EN 60601-1, CEI EN 60601-1-2, CEI EN 60601-2-46**.



OPT 30/1



OPERATING TABLE

Versatile and universal

OPT 30/1 is a mobile operating table with fixed table top that performs all the necessary positions required in modern surgery. The operating table has been developed for a perfect vision of the surgical field and with respect to the safety and comfort of both patient and user. It is a state-of-the-art product in terms of innovative and aesthetic criteria, rationality in every detail, safe use and versatility.

Ergonomics

The operating table has been designed to simplify the daily activities of the OR staff and to increase the patients' safety and comfort in order to prevent injuries caused by decubitus. The base of the table is compact and has a small footprint in order to allow a better access to the operating area.



Modularity

OPT 30/1 has a modular table top that consists of a **central section** with an integrated lower back section. Numerous sections such as head section, pelvis extension and leg section can be added to the table top.

This allows the OR staff to set a configuration quickly and simply, adapting the table to the patient's size and surgical needs. The side rails are placed on entire length of the table top for various accessories.



Universal

Thanks to the wide and complete set of accessories and components, the operating table OPT 30/1 is flexible and satisfies the needs of modern operating theatres. With only one table top it is possible to **perform every surgical position** in an OR in a fast and easy way.

MOBILITY

Precision in movement

Manoeuvrability

OPT 30/1 has a simple and practical manoeuvrability and is completely safe thanks to 4 swivelling castors. They allow an easy control of the table even in narrow spaces. The castors also have a special cover to protect them against accidental impacts and infiltration.



Stability

The swivelling castors have an integrated pins system which is activated by a foot pedal. The pins system can lock the table in the required position and thus ensuring maximum stability in any surgical operation.



5th wheel (optional)

The operating table OPT 30/1 can be supplied with an optional 5th retractable wheel. The 5th wheel allows the user to comfortably and safely move the table in case of long transfers or even in case of obese patients' transportation.



TECHNICAL FEATURES

Know-how acquired in more than 90 years of experience

Attachment system

The attachment system allows to hook/unhook the sections of the table in a rapid and safe way. The system has been designed for a maximum safety of the OR operators in their daily activity.

Modularity and flexibility

The easy modularity of OPT 30/1 increases the flexibility of the OR. For instance, it allows to change the table configuration quickly and easily according to the required surgical discipline and thus adapting to the needs of OR staff.



Remote panel integrated to the column

An integrated remote panel, placed on the column allows to perform all electrical movements of both column and table top. In addition, on the base of the column there are three luminous indicators of the battery charge status and of the correct data transmission.

Column all included

The column contains all the components designed for table functioning including the power supply. Therefore, even in case of discharged batteries, there is no external power supply that could disturb the operators.

Electro-polishing

The electro-polishing procedure is currently the best technique for **stainless steel treatment**. It ensures a **longer life of the material** and a simpler cleaning of the table. After the treatment the surface is smooth, shiny and more resistant to scratches and bacterial agents.

CONTROL SYSTEM

Total control of the table in one hand

Thanks to OPT 30/1 control systems users always have a clear control of the table in all its functions.

The electrical movements of the operating table can be activated by:

- Wired and wireless remote controls
- Integrated control panel
- Foot switch
- Emergency system

Using wireless and wired remote controls it is possible to perform **all electrical movements** of the operating table OPT 30/1 (including self-levelling).

The remote controls have **intuitive graphic symbols** in order to make their use immediate and extremely simple even for less experienced users.

Every remote control can be connected to a specific OPT 30/1 table through a simple and quick binding procedure.

Wired and wireless remote controls



Integrated control panel



Foot switch



Emergency systems



The column of OPT 30/1 has an integrated control panel, which can also be used as an emergency control. It can activate all the column and the table top movements without the use of wired or wireless remote controls. In addition, there is a LED illumination on the panel that indicates the status of a correct functioning of the operating table.

OPT 30/1 can be controlled by a foot switch with three pedals that controls three electrical movements: height variation, Trendelenburg / Reverse Trendelenburg and bilateral tilt.

An optional emergency device with a manual pedal pump allows to perform all the table movements in case of failure in the electronics.

To ensure an optimal exposure of the surgical site, OPT 30/1 offers the opportunity to reach the various surgical positions with respect to the safety and comfort of both patient and user.

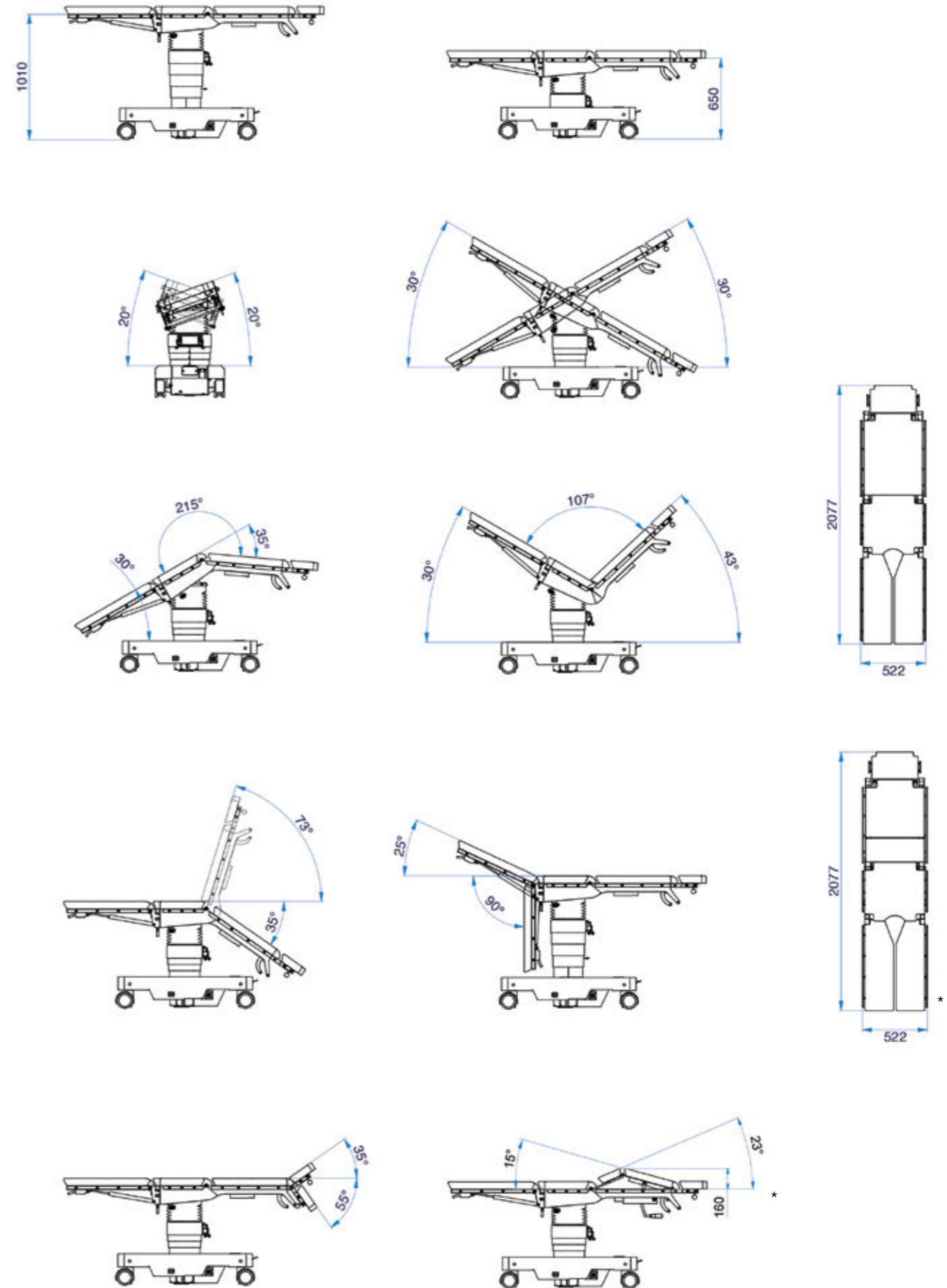
OPT 30/1 has electro-hydraulic movements, completely independent from one another. All movements are extremely silent in order not to distract surgeons and OR staff during the intervention.

Electro-hydraulic movements

- Height variation (without cushions): 650-1.010 mm
- Trendelenburg / Reverse Trendelenburg: $\pm 30^\circ$
- Bilateral tilt: $\pm 20^\circ$
- Self levelling - zero automatic position of the operating table

Manual movements

- Head section adjustment (removable): $+ 35^\circ/- 55^\circ$
- Leg section adjustment: $+ 25^\circ/- 90^\circ$ (gas assisted with a lever)
- Leg section spread: Using mechanical lever system
- Lower back section adjustment: $+ 73^\circ/- 35^\circ$ (gas assisted with a lever)
- Body elevator (OPT 30/1, type B): Manual crank handle



Tolerance of $\pm 2^\circ$ on angular movements and ± 3 mm on linear movements

*OPT 30/1 operating table type B

CONSTRUCTIVE TECHNOLOGY

The tradition of innovation

Constructive features



The operating table OPT 30/1 is designed not only to satisfy the clinical needs but also to ensure longer life of the table. The column and the base of the OPT 30/1 are made of **stainless steel** and noble materials of the highest quality.

The standard cushions of the operating table are made in soft, radiolucent, antistatic, anti-decubitus and ergonomically shaped material. Their thickness of 60 mm allows a comfortable patient positioning even during long lasting operating sessions. The **total absence of stitching** on the cushions makes their cleaning extremely easy.

Radiolucency

The excellent radiolucency of the table top sections allows a rational and easy use of the C-Arm and realization of radiographies. By applying carbon fibre sections to the central unit of the table it is possible to reach a **radiolucency for 360°**.

Bariatric surgery (for obese patients)

The load capacity of the operating table OPT 30/1 is **270 kg (600 lb)**.



OPT 30/1 TYPE B

The operating table OPT 30/1 model type B has **an integrated body elevator**. Thanks to a manual crank handle the back section can be tilted for thoracic or renal surgical positions.



SAFETY

Full safety for operator and patient



Safety

Safety is a prior focus of OPT in the development and design of all its products. The attention is paid to the patient's safety and tranquillity as well as to the safety of the operators working in the OR.

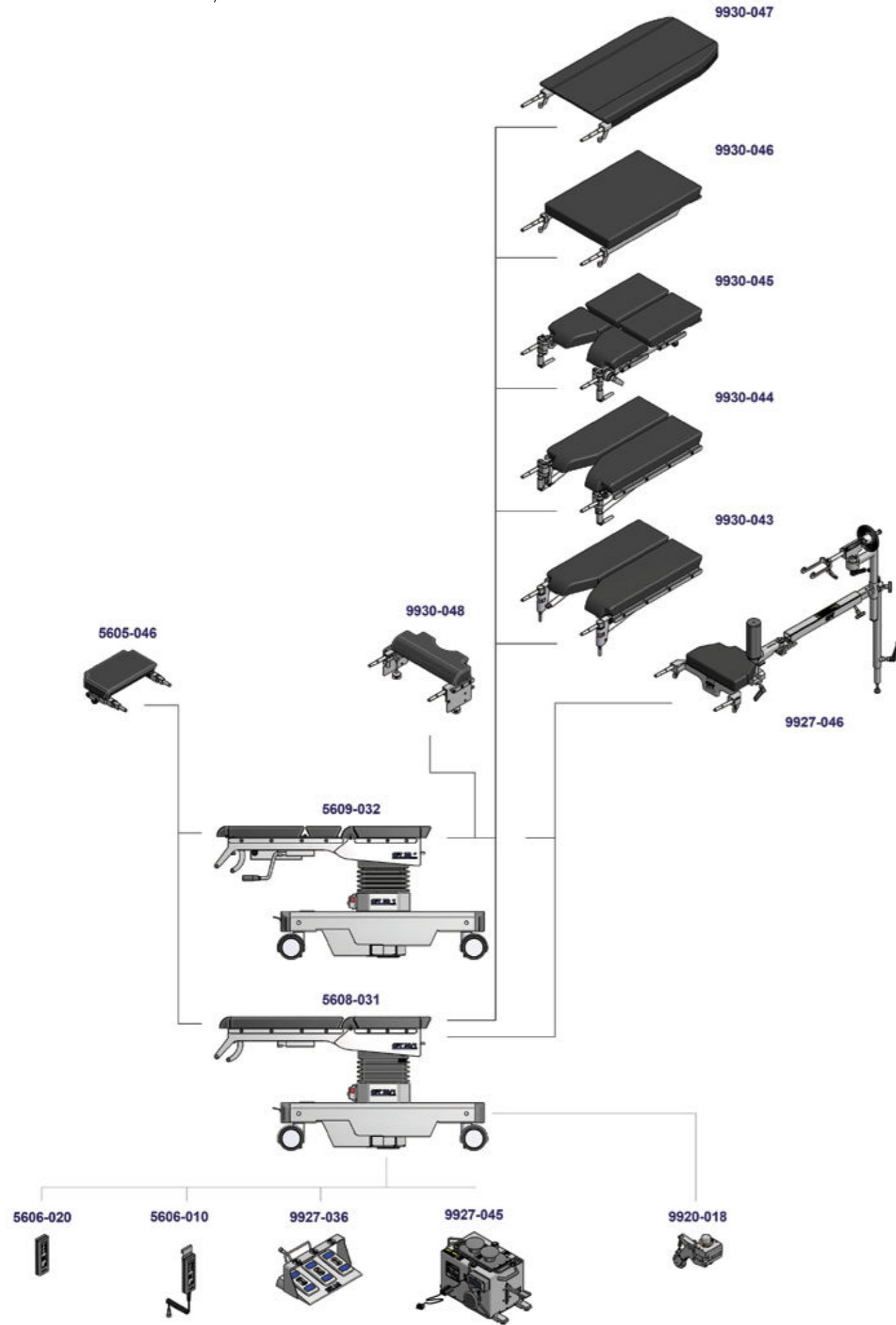
OPT 30/1 has been designed according to the safety principles, concepts and solutions which ensure the correct functionality of the table even in extreme situations.

ISO Certification

OPT SurgiSystems complies with **UNI EN ISO 9001** and **UNI EN ISO 13485** certifications. The company has always used high-quality materials and has complied with the most stringent regulatory standards of design and manufacturing. It controls and tests each product before the delivery to the end user. This ensures an optimal level of functionality and safe use.

The operating table OPT 30/1 is fully compliant with the regulations **93/42/CEE, 2004/108/CE, 2006/95/EC, 2011/65/CE** and with the technical standards for medical devices **CEI EN 60601-1, CEI EN 60601-1-2, CEI EN 60601-2-46**.





SURGICAL POSITIONS

GENERAL SURGERY



Laparoscopic surgery



Thorax surgery in lateral decubitus



Pubis flex position



Abdominal surgery



Kidney surgery in lateral decubitus (flex position)



Bariatric surgery configuration



Gynae-uro-procto in lithotomy position



Thyroid surgery



Lithotomic position



Goiter surgery



Lithotomic position with instrument tray



Eye surgery



Shoulder arthroscopy in lateral decubitus



Shoulder surgery in beach chair position



Hand surgery



Hip surgery in lateral decubitus



Knee arthroscopy



Knee replacement



Femur surgery



Tibia surgery



Skull surgery in prone decubitus



Skull surgery in supine decubitus



Skull surgery in beach chair position



Skull surgery in park bench position



Spine surgery in prone decubitus



Column stabilization



Spinal surgery in prone decubitus with Wilson device





OPT SurgiSystems S.r.l.

TKB Group, Tokyo, Japan

Via Cesare Battisti, 17 - 38060 CALLIANO (TN) – ITALY

Tel. +39 0464 834336 - Fax +39 0464 835142

www.opt-ita.com

OPT SurgiSystems S.r.l. reserves the right to make technical modification without prior notice

August 2016 Edition

