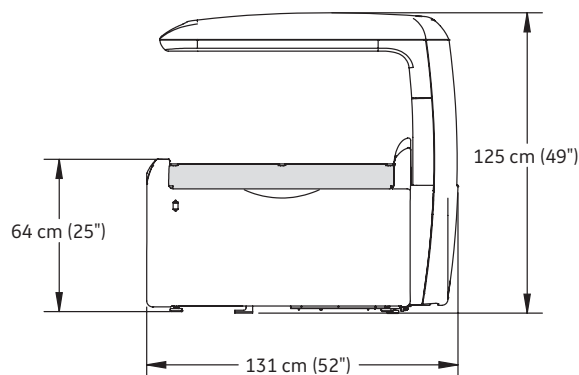
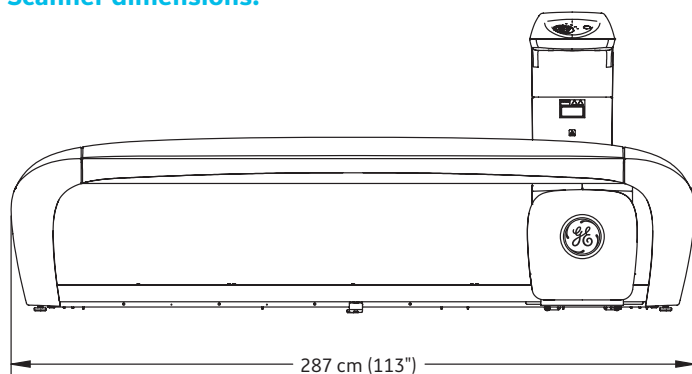


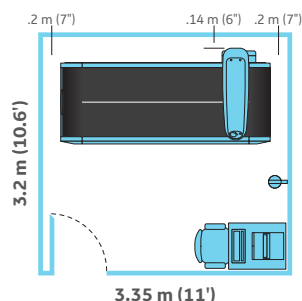


# Lunar iDXA™ Specification Sheet

## Scanner dimensions:



## Minimum room dimensions<sup>1</sup>:



The Lunar iDXA is designed to have minimal impact on your practice in both the installation requirements and required operating space. The Lunar iDXA is shown in a 3.35 m x 3.2 m exam room with the included workstation. No operator shielding or special site preparation beyond a dedicated 100-127/200-240 VAC duplex outlet is usually required.<sup>2</sup> The outlet should be placed near the desired location of the operator's console.

## Computer specifications:

- Intel® Core™ i3 Processor
- Windows® 10 IoT Enterprise 64-bit
- RAM 8 GB
- Hard drive 1 TB
- Optical drive DVD-RW
- Monitor 24" SVGA (minimum resolution 1920 x 1080 32-bit color)
- Archive 500 GB USB hard drive
- Adobe® Reader® DC
- Internet Explorer® 11
- Two 10/100 Mbit Ethernet ports
- Windows®-compatible printer

## Environmental specifications:

Power	100-127 VAC 50/60Hz 20A dedicated circuit 200-240 VAC 50/60Hz 10A dedicated circuit
Consumption	idling 40VA, scanning 525VA
Distortion	sinusoidal waveform, less than 5% THD
Humidity	20%-80% non-condensing
Room temperature	18°C-27°C (65°F-81°F)
Scanner heat output	idling 150 BTU/hr, scanning 1800 BTU/hr
Console heat output	approx. 200 BTU/hr with 24" monitor
Ventilation	all cooling vents must remain unblocked
Dust, fumes, debris	install system in clean, ventilated area

## Scanner table specifications:

Scanner size	2.87 m x 1.31 m x 1.25 m (113" x 52" x 49")
Scanner weight	353 kg (778 lbs)
Patient table top height	64 cm (25")
Maximum patient weight supported	204 kg (450 lbs)
Drive system	stepper motor with reinforced drive belts
Active scan area	198 cm x 66 cm
Start position indicator	cross laser light (class II, <1 mW power)
Pad	washable patient mat, includes paper roll dispenser
Attenuation of patient support table	<1.2 mm AL
Communication cable	Ethernet
Scanner leakage current	meets IEC 60601-1 safety standard

## Detector specifications:

Detector ..... high-definition, direct-digital detector

1. A small room kit with isolation transformer may be required. Please refer to local regulations.  
2. Consult and follow local X-ray regulations.

# Lunar iDXA Specification Sheet

✓ Standard   ● Optional   ✗ Not Available

		Lunar iDXA with Pro SW Package	Lunar iDXA with Advance SW Package
<b>Productivity Apps</b>	SQL Server Database	✓	✓
	HL7	✓	✓
	DICOM®	✓	✓
	Multiuser dB (1-3)	✓	✓
	Teledensitometry <sup>3</sup>	✓	✓
	ScanCheck	✓	✓
	Practice Management	✓	✓
	Composer	✓	✓
	OneScan	✓	✓
	OneVision	✓	✓
	QuickView	✓	✓
	Multiuser Database (1-40)	●	✓
<b>Basic Bone</b>	AP Spine	✓	✓
	Dual Femur	✓	✓
	Femur	✓	✓
	Forearm	✓	✓
	Nonseated Forearm	✓	✓
	FRAX® Fracture Risk Tool	✓	✓
	DVO Fracture Risk Tool <sup>4</sup>	✓	✓
	DVA (Includes: LVA, APVA, Lateral BMD)	●	✓
<b>Advanced Bone</b>	Pediatric – AP Spine	✓	✓
	Pediatric – Femur	✓	✓
	Pediatric – TB (Birth to 20 YO)	✓	✓
	Orthopedic Hip	●	✓
	Advanced Hip Analysis	●	✓
	Spine Geometry	●	✓
	Hand	●	✓
	Orthopedic Knee	●	✓
	Atypical Femur Fracture	●	●
	Small Animal	●	●
<b>Total Body</b>	Total Body BMD	✓	✓
	Total Body Comp	✓	✓
<b>Advanced Body</b>	CoreScan™	✓	✓
	Advanced Body Comp <sup>5</sup>	●	✓
	Sarcopenia	●	●
<b>New enCORE v18 Options</b>	DXAVision™	●	●
	Advanced Analytics Full	●	●
	Advanced Analytics Bone	●	●
	Advanced Analytics Body Comp	●	●
	Sports Athletics Package	●	●
	Integrated TBS <sup>6</sup>	●	●
	Integrated TBS Demo <sup>6</sup>	●	●

<sup>3</sup>. Additional hardware may be required for fax capabilities. <sup>4</sup>. German speaking countries only. <sup>5</sup>. Bone-Lean-Tissue Color Coding, Metabolic Results (ICW, ECW, TBW), Resting Metabolic Rate, Composer Style Sheets – Body Sports Medicine Segmental, Body Patient Weight Loss. <sup>6</sup>. Consult for market availability.



© 2019 General Electric Company – All rights reserved.

GE Healthcare reserves the right to make changes in specifications and features shown herein, or discontinue the product described at any time without notice or obligation. Contact your GE Healthcare representative for the most current information. GE, the GE Monogram, Lunar iDXA, and CoreScan are trademarks of General Electric Company. GE Healthcare, a division of General Electric Company. GE Medical Systems, Inc., doing business as GE Healthcare. DICOM is a trademark of National Electrical Manufacturers Association. Windows and Internet Explorer are a registered trademarks of Microsoft Corporation. All other third party trademarks are the property of their respective owners.

September 2019 JB70500XE(1)