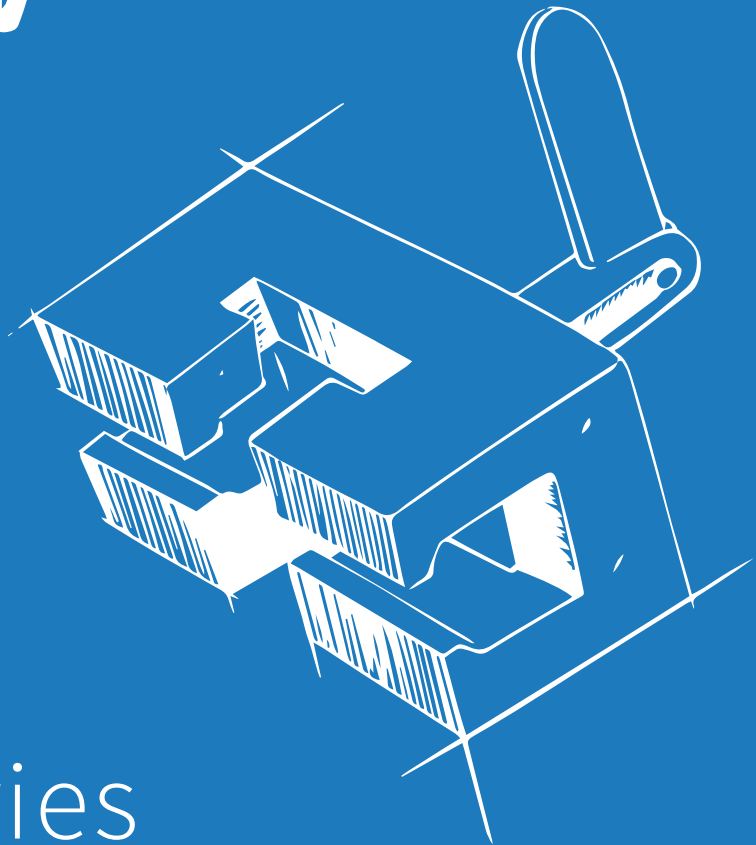
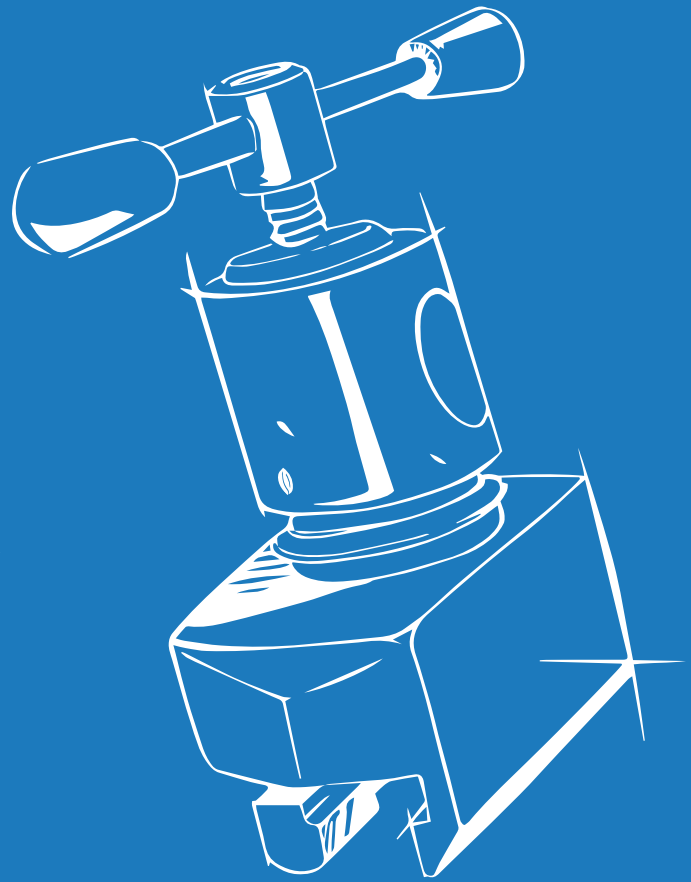
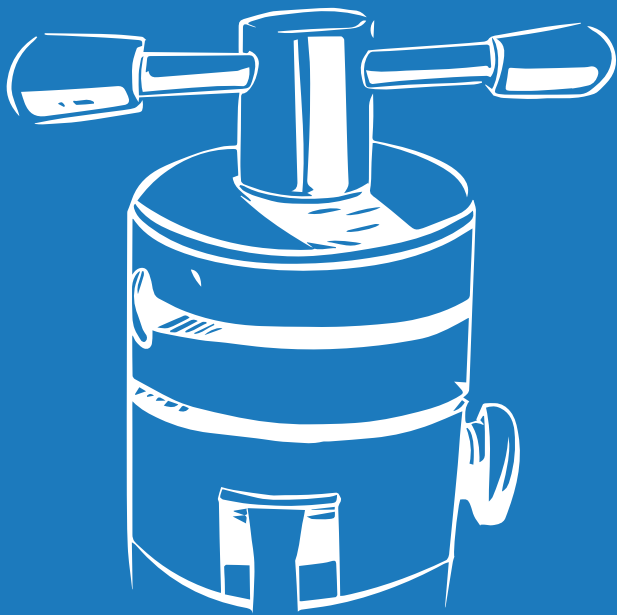
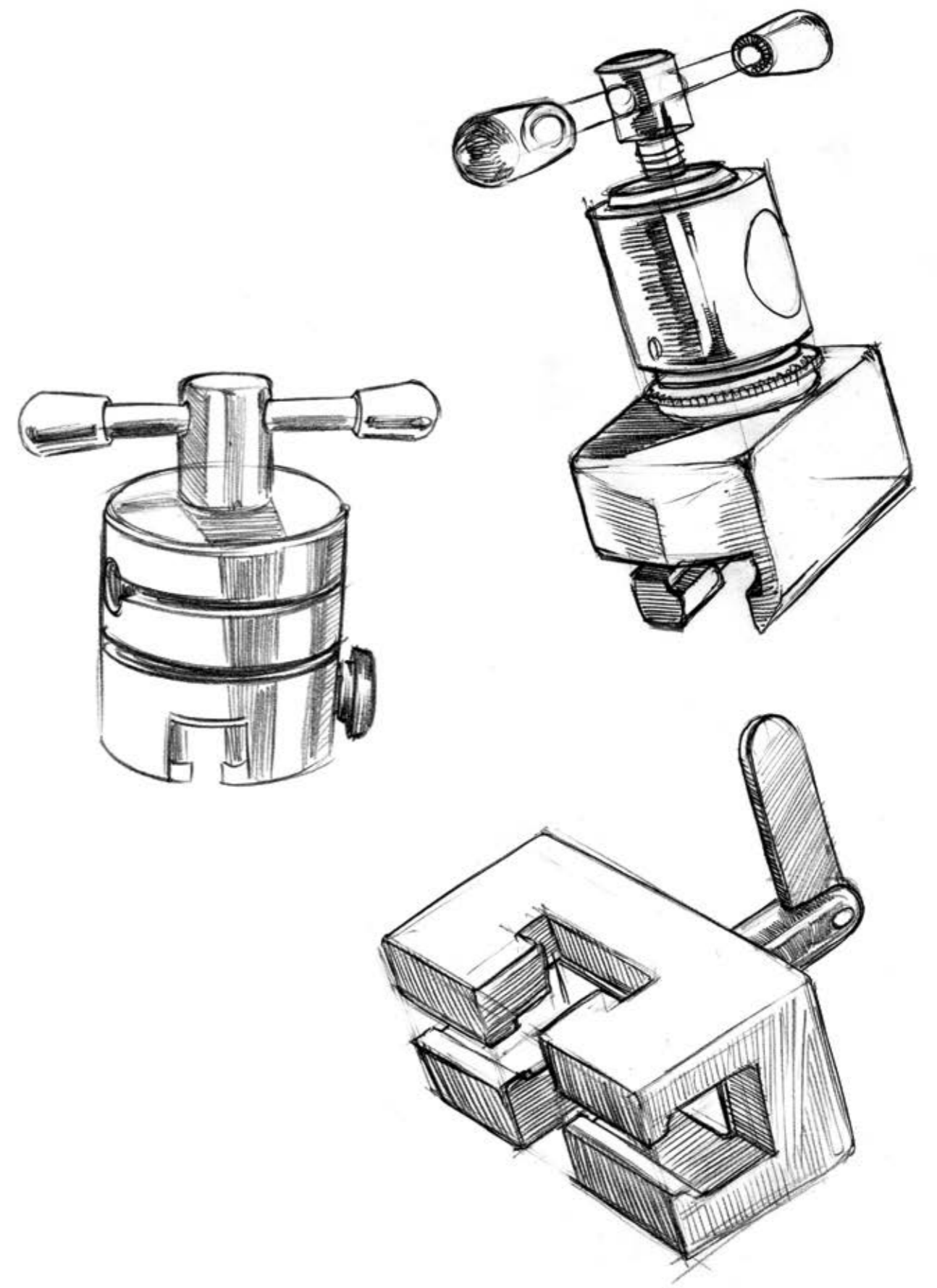




SurgiSystems



Accessories



ACCESSORIES CATALOGUE

Our target is to supply an operating table that fully meets the requirements of every surgical speciality. This has been achieved by setting up a R&D team dedicated specifically to accessories which, thanks to the close collaboration with end users (surgeons, anaesthetists, OR personnel, clinical engineers, etc), updates constantly the range of products, given also the new needs in terms of patient positioning.

This catalogue illustrates the wide range of accessories available for OPT operating tables and for the different specialties. All materials used for the manufacturing of these accessories have been carefully selected and have the same high quality requirements of all OPT products.

Whenever technically possible, the accessories and complementary components are compatible with all our tables models, both with fixed table top or with transferable table tops.

Expertise in drawing, excellent standard of production and rigorous final testing of every component ensure an optimal functionality and safety of use.

Specialized since 1919 we have, over the years, profited from external inputs and ideas, and in turn, we have contributed significantly to the evolution of operating tables.

We continue to invest in progress.



USE OF THE CATALOGUE

This catalogue illustrates the accessories available for OPT tables and for operating systems, divided into different surgical specialties, as well as the accessories dedicated to Anaesthesia.

In the range are also included the accessories dedicated to the specific needs of paediatric surgery, bariatric surgery and radiolucent devices, which are inserted in the different surgical specialties.

For each accessory there is a picture, the OPT code (or codes according to the compatibility with the several OPT table models or to the technical differences such as dimensions, capacity, etc) and technical description.

In order to help looking for the right accessory, at the end of the catalogue there is an index with the indication of the page where this accessory can be found. Moreover, to support the user, it is clearly indicated the compatibility of each accessory to the several OPT tables, besides an essential indication on where to attach it.

INDEX

SURGICAL SPECIALTIES

ANAESTHESIA	5 – 12
SURGERY	13 – 22
GYNAECOLOGY – UROLOGY – PROCTOLOGY	23 – 28
VASCULAR	29 – 32
ORTHOPAEDICS – TRAUMATOLOGY	33 – 48
ENT – NEUROSURGERY	49 – 58
GEL PADS	59 – 62
INDEX	63 – 71



ANAESTHESIA



ANAESTHESIA SCREEN

9903001 For OPT 20 - 30/1 - 40/1 - 70 - 80

9903005 For OPT 90 - 100

9903007 For CENTURY - VANTO - ASSO

Height adjustable, tiltable, with 2 lateral extension bars, with security system. Complete with clamps.



L-SHAPED ANAESTHESIA SCREEN

9903003

Height adjustable, tiltable, with rubber patient protection and security ring, complete with 2 lateral extension bar.

To be used with clamp to be ordered separately (advised code 9901010).

FLEXIBLE SCREEN

9903009

With frame adjustable from 1.400 to 1.900 mm.

To be used with n. 2 clamps to be ordered separately.



SUSPENDED ARM STRAP

9906801

Made of washable tissue, having 100 mm width to be attached to anaesthesia screen for the suspension of patient's arm.

Advised quantity 2 pieces.



BODY/LEG STRAP

9914001 Standard - Width 60 mm

9914008 For obeses - Width 150 mm

Padded and washable belt, length adjustable, with security and breaking system. Complete with clamps.



BODY/LEG STRAP

9914009 For OPT 20 - 30/1 - 40/1 - 90 - 100 - ASSO - CENTURY - VANTO

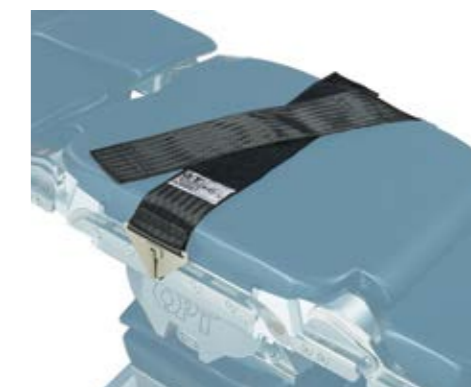
Width 100 mm and washable, with clips for attaching onto the side rails adjustable in its length. With anti fall system.



BODY / LEG STRAP WITH VELCRO CLOSURE

9914012 For OPT 20 - 30/1 - 40/1 - 90 - 100 - ASSO - CENTURY - VANTO

With clips for attaching onto the side rails with locking system, detachable in two section. Washable, width 100 mm.



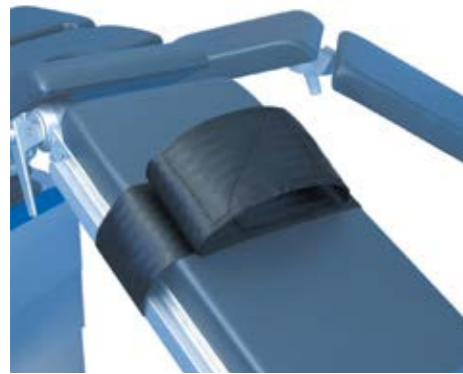
SINGLE LEG STRAP

9914005

Advised for laparoscopic surgery. Washable, with velcro closure. Suitable for divided leg section. Complete with clip for attaching onto side rail.

Advised quantity 2.





SINGLE LEG STRAP

9914011

Washable, with velcro closure. Suitable for divided leg section.
Advised quantity 2.



LEATHER WRISTLET

9915001 Standard
9915003 Paediatric
9915005 For obeses

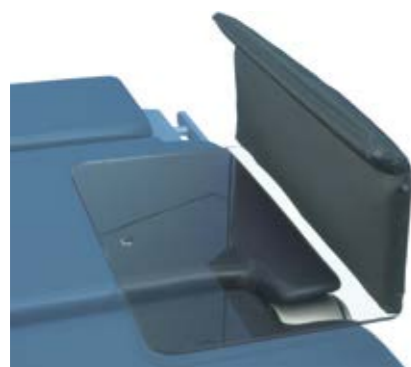
Washable, with velcro closure, padded and complete with clamp.



WRIST SUPPORT

9915002 Standard
9915002P For operating tables with viscoelastic cushions

Complete with fast-frontal locking clamp to be placed onto side rail to keep the arm parallel to the body. Made of washable cotton, with velcro closure, length: 100 mm.



ARM PROTECTOR

9915004 Adults- Length 400 mm and height 130 mm
9915006 Paediatric - Length 300 mm and height 100 mm

Acrylic material plate, easy to install, used for placement/protection of patient's arm, which is protected safely and in an anatomically correct way.

INFUSION ROD

9916002

Can be tilted to maintain the vertical position, height adjustable (from 800 mm to 1500 mm), complete with hooks and clamp.



PAEDIATRIC ARM SUPPORT

9906012 Paediatric - Dimensions: 260 x 100 mm

Complete with clamp for frontal and fast locking, with a soft cushion, and two fixation belts.



ARM SUPPORT – ON BALL JOINT

9906013 Dimensions: 500 x 140 mm
9906019 For obeses - Dimensions: 500 x 248 mm

Height adjustable for 150 mm, complete with frontal fast locking clamp, soft cushion, and two fixation belts.



ARM SUPPORT FOR ADULTS ON BALL JOINT

9906006 For OPT 70 - 80 - 90 - 100
9906021 Standard for OPT 20 - 30/1 - 40/1 - CENTURY - ASSO - VANTO
9906021P For operating tables with viscoelastic cushions

Completed with frontal fast locking clamp, soft cushion and two fixation belts. Dimensions: 510 x 140 mm.





ARM SUPPORT - LONGITUDINALLY AND HEIGHT ADJUSTABLE

9906026

Complete with clamp for frontal and fast locking, a soft cushion with dimensions 510 mm x 140 mm, and two fixation belts. Height adjustable for 290 mm and longitudinally adjustable for 300 mm.



ARM SUPPORT ON BALL JOINT WITH LEVER

9906018 For OPT 70 - 80 - 90 - 100

9906030 For OPT 20 - 30/1 - 40/1 - CENTURY - ASSO - VANTO

Can be swivelled via ball-and-socket joint by a lever system with one hand. Height adjustable, complete with cushion with dimension 510 mm x 140 mm, two fixation belts and frontal fast locking clamp.



ARM SUPPORT ON BALL JOINT

9906032

Complete with an adjustment system with ball-and-socket joint to fix the support on all positions. It is height adjustable with a run of 100 mm, complete with cushion 510x140 mm and thickness 40 mm, two fixation belts and frontal fast locking clamp.



ARM SUPPORT WITH TRIPLE JOINT FOR PATIENTS IN LATERAL DECUBITUS

9906028 - Dimensions: 400 x 150 mm

For patient in lateral decubitus. Complete with frontal fast locking clamp, soft cushion and a fixation belt.

ARM SUPPORT FOR PARK BENCH POSITION WITH FAST LOCKING CLAMP

9906029 - Dimensions: 510 x 140 mm

For patient in park bench position, height adjustable for 459 mm. Complete with frontal fast locking clamp, soft cushion and a fixation belt.



ARM SUPPORT FOR PATIENT IN LATERAL DECUBITUS

9906003

Swivelling via ball-and-socket joint, height adjustable for 600 mm. Complete with soft cushion with dimensions 400 mm x 150 mm and belts.

To be used with clamp to be ordered separately.



FLEXIBLE SUPPORT FOR ANAESTHESIA TUBES

9907067

Flexible and complete with clamp.



RAILING LATERAL EDGE (SINGLE)

9928003

Made of stainless steel, can be tilted. Dimension 720 mm x 280 mm. Complete with fast locking clamp.



VACUUM MATTRESS



C3103786 Dimensions 2000 x 1000 mm
C3103806 Dimensions 750 X 1000 mm
C3103813 Dimensions 1000 X 1000 mm

Vacuum cushion to immobilise patients on operating tables, even with polytrauma.

PLASTIC LIFT PUMP FOR VACUUM MATTRESS



C3103787

To be used with Vacuum mattress codes C3103786 - C3103806 - C3103813.
 From 55 cm.

WARMING MATTRESS



C3103401

Heated and made of polyester and carbon fibre yarn, latex free, dimensions 1800 mm x 700 mm, 2 mm thickness, with 12 V electronic transformer.

DISPOSABLE COVER



C3103403

Dedicated for warming mattress cod. C3103401, in non woven tissue, latex free and liquid proof. Minimum quantity 50 pieces.



GENERAL SURGERY



CONTROL UNIT SUPPORT

9901007 For OPT 70-80-90-100-30/1-40/1

Support for hanging the control unit onto the side rails (25x10 mm).



RADIAL SETTING CLAMP

9901001

It can fit side rails of size 25x10 mm. With radial adjustment. Fits 16 mm diameter rods.



FIXED CLAMP WITH FAST LOCKING ATTACHMENT

9901011

It can fit side rails of size 25x10 mm. It can fit 16 mm diameter rods. Both fixation of the accessory and clamp fixation onto the side rail are simultaneously managed by means of a single knob.



CLAMP WITH RADIAL SETTING AND FAST LOCKING ATTACHMENT

9901010

It can fit side rails of size 25x10 mm and rods of 16 mm diameter. Both fixation of the accessory and clamp fixation onto the side rail are simultaneously managed by means of a single knob. 120° rotation of the accessory is allowed.

QUICK RELEASE CLAMP

9901012

For side rails of size 25x10 mm. It can fit 16 mm diameter rods. With frontal fast locking attachment and extension for vertical bar.



PAIR OF ADJUSTABLE SHOULDER SUPPORTS

9904003

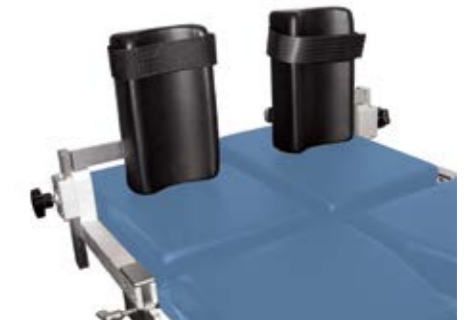
With antistatic cushions and clamps. Height and width adjustable ± 160 mm.



PAIR OF ADJUSTABLE FEET SUPPORTS

9909008

With antistatic cushions and clamps. Height and width adjustable ± 110 mm.



UNIVERSAL LATERAL SUPPORT

9908009

Made of stainless steel, it can be used as universal fixture for body supports. Height adjustable ± 150 mm, complete with clamp.

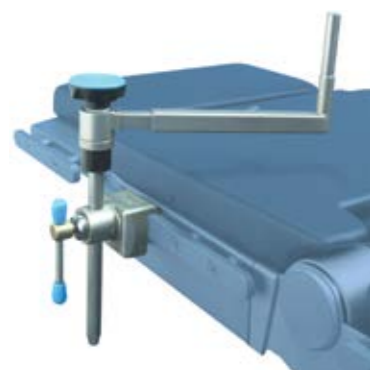




UNIVERSAL LATERAL SUPPORT

9908019

Made of stainless steel, it is used to fixed body supports. Swivelling and length (± 110 mm) and height (± 100 mm) adjustable. Complete with clamp.



UNIVERSAL LATERAL SUPPORT

9908022

Made of stainless steel, swivelling, length (± 110 mm) and height (± 175 mm) adjustable with radial toothed locking system. Complete with radial setting clamp with frontal fast locking attachment.



STERNAL - BACK SUPPORT

9908001

Cushion (size 120 x 100 mm) complete with locking for universal support.
To be used with support code 9908009-9908019-9908022 to be ordered separately.



BACK BUTTOCKS SUPPORT

9908002 Dimensions: 200 x 80 mm
9908026 Dimensions: 280 x 140 mm

Cushion complete with locking for universal support. It can be mounted either horizontally or vertically.
To be used with universal lateral support 9908009-9908019-9908022 to be ordered separately.

BUTTERFLY-SHAPED CHEST SUPPORT

9908003

Cushion (size mm 270 x 100), complete with locking for universal support.
To be used with universal lateral support 9908009-9908019-9908022 to be ordered separately.



CHEST SUPPORT

9908004

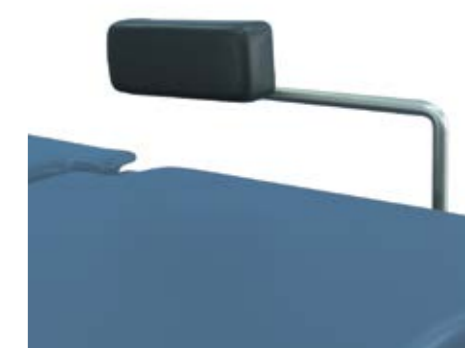
Cushion (size 170 x 200 mm), complete with locking for universal support.
To be used with universal lateral support 9908009-9908019-9908022 to be ordered separately.



SACRAL SUPPORT

9908005

Cushion (size 200 x 80 mm), complete with antistatic cushion. It can be mounted either horizontally or vertically.
To be used with universal lateral support 9908009-9908019-9908022 to be ordered separately.



PUBIS SUPPORT

9908006

Cushion (size 50 x 50 mm), complete with locking for universal support.
To be used with universal lateral support 9908009-9908019-9908022 to be ordered separately.





CYLINDRICAL LATERAL SUPPORT

9908020

Cushion (height: 300 mm, diameter: 80 mm), complete with locking for universal support.

To be used with support cod. 9908009-9908019-9908022 to be ordered separately.



FLAT SIZE BODY SUPPORT

9908021 Standard

9908021P For operating tables with viscoelastic cushions

Body support complete with flat cushion (size: 200 x 80 mm), arm support and clamp.

WEDGE-SHAPED PAD

9921016

Special cushion for a comfortable patient positioning in lateral decubitus. Dimensions 900 x 480 x 200 mm.

SEMICIRCULAR CUSHION

9921018

Special cushion for a comfortable semisitted/sitted and prone patient positioning. Dimensions 470 x 200 x 110 mm.



TUNNEL CUSHION

9921015

Special cushion for patient leg protection in the position of lateral decubitus. Dimensions 650 x 480/380 x 220/150 mm.



SINGLE KNEE SUPPORT

9913002

Swivelling arch, complete with antistatic cushion. To position the patient's leg during surgical disinfection.

To be used with clamp to be ordered separately.



INSTRUMENT TRAY

9910002

Height adjustable, dimensions 470 x 370 mm.

To be used with clamp to be ordered separately.



ARCH-SHAPED DEVICE FOR COSTAL EDGE TRACTION

9907020 For OPT 20 - 30/1 - 40/1 - 70 - 80

9907041 For OPT 90 - 100

9907059 For CENTURY - VANTO - ASSO

With swivelling vertical bars, height adjustable for 335 mm thanks to clamps (included). Complete with with 2 lateral extension bars (230 mm) and with 4 hooks.





WIDTH EXTENSION FLAT SHAPE (SINGLE)

9906015 For OPT 70 - 80 - 90 -100 - Dimensions: 240 x 81 mm
9906023 For OPT 20 - 30/1 - 40/1 - CENTURY - ASSO - VANTO - Dimensions 300 x 81 mm

It is used to increase the table top surface. Complete with clamp and antistatic cushion. Advised quantity: 2



CURVED WIDTH EXTENSION (SINGLE)

9906016 For OPT 70 - 80 - 90 -100 - Dimensions: 200 x 200 mm
9906022 For OPT 20 - 30/1 - 40/1 - CENTURY - ASSO - VANTO - Dimensions 200 x 200 mm

It is used for ergonomic patient support. Complete with clamp and antistatic cushion. It can be matched with cod. 9960023 or it can be used singularly. Advised quantity: 2



CENTRAL VANTO CUSHION WITH COUNTERTRACTION DEVICE

9921019 For VANTO

Central cushion of table top cod. 8812000 complete with support for countertraction bar for bariatric surgery.



CLEANING TROLLEY FOR COLUMN

9920027 For OPT 100
9920028 For VANTO

Trolley to lift column and clean thoroughly underneath the base.

ACCESSORIES' TROLLEY

9920001

In stainless steel. With three shelves and lateral rail supports for clamps. Dimensions 935 mm. length, 435 mm. width, 810 mm. height.



UNILATERAL STAINLESS STEEL ACCESSORIES TROLLEY

9920003

Mobile trolley on antistatic castors having 90 mm diameter. With two 600 mm length, 25x10 mm size rails for accessories storage. Complete with one wire mesh basket, dimensions 285 x 600 x130h mm.



BILATERAL STAINLESS STEEL ACCESSORIES TROLLEY

9920006

Mobile trolley on antistatic castors having 90 mm diameter. With four (2 each side) 600 mm length, 25x10 mm size rails accessories storage. Complete with two (one each side) wire mesh baskets, dimensions 285 x 600 x130h mm each.

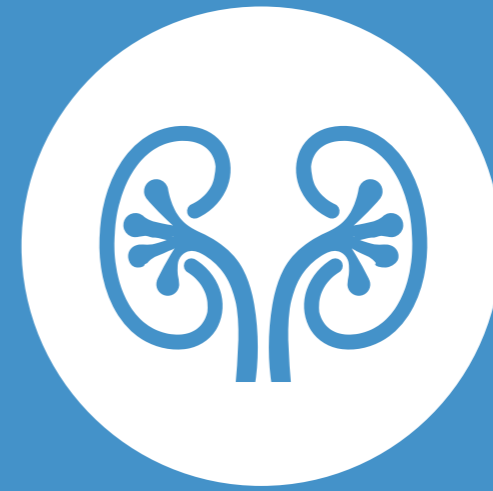


COMPONENT STAND

9920051 For VANTO - ASSO - CENTURY

For head, back and leg sections.





GYNAECOLOGY | UROLOGY | PROCTOLOGY



SINGLE LEG HOLDER WITH LOOPS

9902001

With washable heel loops.

To be used with clamp to be ordered separately (advised code 9901001).



SINGLE GOEPEL KNEE CRUTCH

9902002

Knee crutch adjustable via ball-and-socket joint, complete with cushion and fixing strap.

To be used with clamp to be ordered separately (advised code 9901001).



PAIR OF KNEE CRUTCHES

9902003

Lengthwise tiltable, and laterally adjustable on ball-and-socket joint. Included with cushion, fixing strap and clamps.



SINGLE THIGH HOLDER WITH CHAINS

9902006

Complete with antistatic tubular rubber sleeves and padded chains.

To be used with clamp to be ordered separately (advised code 9901010).

SINGLE PAEDIATRIC GOEPEL KNEE CRUTCH

9902012

Knee crutch adjustable via ball-and-socket joint with cushion and fixing strap.

To be used with clamp to be ordered separately (advised code 9901010).



DIRECT PLACEMENT STIRRUP (PAIR)

9902013 Patient maximum weight capacity: 160 kg

Adjustable by twisting a lever at the end of the accessory, which activates a gas spring. Complete with antistatic cushions and 2 clamps (cod. 990201300010). Weight for couple 10,5 kg.



DIRECT PLACEMENT STIRRUP (PAIR)

9902020 Patient maximum weight capacity: 182 kg

Adjustable by twisting a lever at the end of the accessory, which activates a gas spring. Complete with antistatic cushions and 2 clamps (cod. 9901019).



DIRECT PLACEMENT STIRRUP (PAIR)

9902021 Patient maximum weight capacity: 272 kg

9902022 Patient maximum weight capacity: 360 kg

Adjustable by twisting a lever at the end of the accessory, which activates a gas spring. Complete with antistatic cushions and 2 clamps (cod. 9901019).





KIT OF DISPOSABLE TRANSPARENT DRAPES

9902020S

For stirrups codes 9902020-9902021-9902022. They allow visibility of patient's leg during intra-operatively adjustments without breaking sterile field. Packaged sterile and not made with latex. Each kit contains 10 pieces.



SINGLE CLAMP FOR DIRECT PLACEMENT STIRRUP

9901015

Reinforced clamp with high bearability, for direct placement stirrup, advised quantity 2.



FRAME FOR INSTRUMENT TRAY OR T.U.R. DRAINAGE SET

9911012

For either perineal instrument tray code 9911013 or T.U.R. drainage set code 9911202.



PERINEAL INSTRUMENT TRAY

9911013

To be used with dedicated frame code nr. 9911012 to be ordered separately.

UROLOGICAL PAN/T.U.R. DRAINAGE SET

9911202

With drain and recovery strainer, and flexible tube to floor box. Use with frame cod. 9911012 to be ordered separately.



FLOOR MOBILE FRAME

9911005

Liquid harvest mobile stainless steel bucket, complete with 4 castors and handle.



PATIENT HANDLE FOR GYNAECOLOGY (SINGLE)

9924021

Advised quantity 2.



KNEE SUPPORT FOR PROCTOLOGY AND DISC SURGERY (PAIR)

9907026

9907026P For operating tables with viscoelastic cushions

For proctology to attach onto the side rails of the single part leg section. Height and length adjustable for an optimal patient positioning.





VASCULAR



X-RAY CASSETTE HOLDER

9922002

Holding arm for positioning x-ray cassettes under radiotransparent table top. Mounted on side rails by clamp (included).



FRAME FOR X-RAY CASSETTES

9929003

For the insertion of the x-ray cassettes under the table top. 300 x 460 mm dimensions.



CARBON FIBRE HEAD SECTION FOR VASCULAR TABLE TOP

9905057 For OPT 40/1

Complete with radiolucent and antistatic cushion.



HEADREST FOR VASCULAR AND XY VANTO TABLE TOP

9905068 For VANTO vascular table top - codes 8830000-8833000

Removable, complete with soft, radiolucent and antistatic cushion, comfortable for the decubitus of the patient.

RECLINABLE HEADREST FOR VANTO VASCULAR TABLE TOP AND XY TABLE TOP

9905071 For VANTO vascular table top - codes 8830000-8833000

Removable and complete with integrated removable soft cushion, which is radiolucent, antistatic, viscoelastic and memory foam with a minimum thickness of 80 mm for a comfortable patient positioning even during long procedures.



PLATE WITH SIDE RAIL FOR VANTO VASCULAR TABLE TOP AND XY TABLE TOP

9933023 For VANTO vascular table top - codes 8830000-8833000

Radiolucent, with side rails. To be used with Vanto vascular table top and Vanto X/Y vascular table top.



PLATE WITH SIDE RAIL FOR VASCULAR TABLE TOP OPT 40/1

9933014 For vascular table top for OPT 40/1 - 90 - 100

Radiolucent, with side rails.



PLATE WITH SIDE RAILS FOR CARBON FIBRE SECTIONS

9933015 For OPT 30/1 - 40/1 - CENTURY - ASSO - VANTO

Radiolucent, with side rails holder. It is used on carbon fibre sections cod. 9933050 - 9933060 - 9930047.





ORTHOPAEDICS | TRAUMATOLOGY



BACK PLATE FOR SHOULDER SURGERY

- 9907028** For OPT 70 - 80 table tops A-D
- 9907031** For OPT 20 - 30 - 30/1
- 9907042** For OPT 70 - 80 table tops A3-B-C

With two lateral adjustable and removable parts, for free positioning and access to the shoulder.

Complete with adjustable headrest and its support.



BACK PLATE FOR SHOULDER SURGERY

- 9907039** For OPT 100 D-TA
- 9907052** For OPT 90 - 100
- 9907061** For CENTURY - VANTO - ASSO
- 9907065** For OPT 40/1

With two lateral adjustable and removable parts, for free positioning and access to the shoulder.

To be used with supporting bar (cod. 9924024) for horseshoe headrest (cod. 9905011) or helmet headrest (cod. 9905034), or helmet headrest (cod. 9905058), to be ordered separately.



BACK PLATE FOR SHOULDER SURGERY

- 9907071** For CENTURY - VANTO - ASSO
- 9907071P** For CENTURY - VANTO - ASSO with viscoelastic cushions

With two lateral adjustable and removable parts, for free positioning and access to the shoulder.

To be used with supporting bar (code 9924024) for the horseshoe headrest (code 9905011), or helmet headrest (code 9905034) or helmet headrest (code 9905058) all to be ordered separately.



SUPPORTING BAR FOR HEADRESTS

9924024

To be used with headrest (cod. 9905011) or helmet headrest (cod. 9905034/9905058) together with the back plate for shoulder surgery; or to be used with headrest (cod. 9905011 and 9905039) and the connecting adapters to be ordered separately according to the table model.

HELMET-SHAPED HEADREST

9905034

To be used with supporting bar 9924024 and back plate for shoulder surgery.



MODULAR HELMET HEADREST

9905058

To be used with supporting bar 9924024 and back plate for shoulder surgery. The headrest is modular, with 2 easily removable lateral parts to facilitate anaesthesia of the patient.



PADDED BODY STRAP

9914013 For OPT 20 - 30/1 - 40/1 - 90 - 100 - ASSO - CENTURY - VANTO

Fixing system for the patient in beach-chair position to the side rails of the back plate for shoulder surgery. Washable, length 1.900 mm and width on the padded point 150 mm.



LATERAL SUPPORT FOR SHOULDER SURGERY

9908029

Support complete with lateral body and cushion to be used for shoulder surgery in beach-chair position and as back support. Dimensions 509 mm height x 150 mm diameter, complete with clamp.



PLATE FOR HUMERUS SURGERY



- 9906014** For back plate cod. 9907052
- 9906027** For back plate cod. 9907065
- 9906020** For back plate cod. 9907061
- 9906031** For back plate cod. 9907071
- 9906031P** For back plate cod. 9907071P

Radiolucent, to use with patient in prone position. It is complete with cushion. To be fitted onto back plate for shoulder surgery.

HEIGHT ADJUSTABLE PLATE FOR HUMERUS SURGERY



9909013

Radiolucent, orientable on ball-and-socket joint, to use with patient in prone position. Complete with cushion and clamp for side rails. Height adjustment range of 150 mm.

ADJUSTABLE HUMERUS SUPPORT



9909010

Radiolucent with height range of 160 mm and longitudinal range 110 mm adjustment. Complete with cushion from 40 mm, and clamp for side rails.

HUMERUS AND FOREARM POSITIONING DEVICE



9907038

With patient in supine position, made of a countertraction post, positioning system and hand traction. Complete with 2 clamps.

LIGHT SHOULDER ARTHROSCOPY DEVICE

- 9907046** For OPT 100 D
- 9907049** For OPT 90 - 100 A1-A2
- 9907072** For OPT 20-30/1-40/1-90-100-ASSO-CENTURY-VANTO

With double traction system, tiltable, extensible, height adjustable and fully orientable on clamp. Complete with strings, straps and clamp.



OPT ARM

9907070

Patient positioning device for arthroscopic surgery. OPT Arm is used to safely move and hold the patient's arm during surgery.

To be used with disposable kit (cod. 9907077S) to be ordered separately.



DISPOSABLE KIT FOR OPT ARM

9907077S

Disposable kit for OPT Arm complete with sterile drape made of velcro, a sterile cloth to cover the accessory and a sterile fixing tape. It contains 10 disposable pieces.



ARM SUPPORT SURGERY TABLE FOR OPT ARM

9907077D

Thanks to this plate it is possible to do in a safe and easy way the elongation of the patient's arm into the lateral and park bench positions.

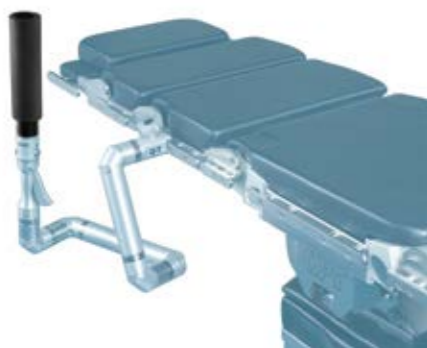
To be used together with OPT Arm cod. 99070770



COUNTERTRACTION ARM FOR OPT ARM

9907077E

To be used together with OPT Arm cod. 99070770.



HAND SURGERY TABLE

9909002 Dimensions 700 x 300 mm

9909004 Dimensions 700 x 500 mm

Completely radiolucent, height adjustment range 55 mm, complete with antistatic cushion, traction device and clamp.



ARM AND HAND SURGERY TABLE

9909014 In carbon fibre

9909015 In phenolic resin

Extremely resistant and light, easy to use and completely radiolucent. Height adjustable for a correct alignment with the operating table. Complete with antistatic cushion and 2 clamps. Dimensions: 760 x 380 mm.



HIP PROTHESIS POSITIONING DEVICE

9908027

It is made of 2 height adjustable iliac crest tampon supports and 1 orientable and height adjustable sacral support. Complete with fast locking clamps to be fitted onto the side rails.



MEDACTA ADAPTER

9925027 For OPT 90 - 100 - CENTURY - VANTO - ASSO

Medacta device for MIS hip surgery for Century, Asso and Vanto. To be attached to traction group cod. 9923052 or 9923060.



MENISCUS POSITIONING DEVICE

9907003

Mounted on square section bar, without knee lateral supports, with clamp included.



KNEE POSITIONING DEVICE WITH LATERAL ADJUSTABLE SUPPORTS WITH CLAMP

9907032

Mounted on square section bar, with swivelling lateral adjustment supports, with clamp included.



KNEE ARTHROSCOPY DEVICE

9907034

Tiltable, height adjustable, with width regulation. Complete with padded belt and clamp.





FOLDABLE KNEE ARTHROSCOPY DEVICE

9907075

Reclinable, spreadable, with tiltable adjustable lateral supports, complete with padding and clamp.



SLIDING ROLLER SUPPORT FOR KNEE PROTHESIS

9909009

Height adjustable +/- 55 mm. and length adjustable 340 mm. For a safe and precise patient positioning.

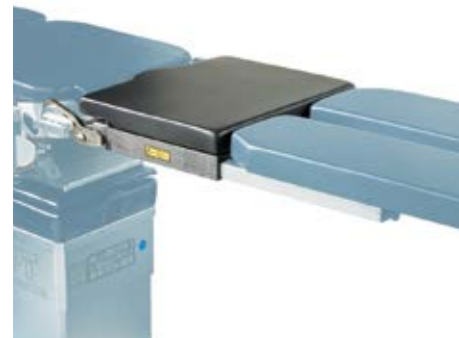


SLIDING POSITIONER FOR KNEE PROTHESIS

9907079 Length adjustment: 610 mm

9907080 Length adjustment: 760 mm

Height and length adjustable and complete with ball joint that allows to flex, stretch, recline and rotate the patient's leg. Complete with clamp and a kit of disposable drapes 12 pieces. (cod. 9907079S).



CARBON FIBRE HIP PROTHESIS DEVICE

9923069 For CENTURY - VANTO - ASSO

9923058 For OPT 90 - 100

Made of carbon fibre and completed with foamed pad. To be used with patient in supine position for a complete radiotransparency and with removable and interchangeable leg supports (9923067).

TRUNCH AND THORAX PLASTER DEVICE

9923051 For CENTURY - VANTO - ASSO

9923061 For OPT 20 - 30/1 - 40/1

Complete with vertical support which is height adjustable, with fork scapular supports and headrest for adults and childrens.



PELVIC - PODALIC ACCESSORY

9923071 For CENTURY - VANTO - ASSO

9923075 For OPT 90 - 100

9923079 For OPT 20 - 30/1 - 40/1

In radiolucent material. Complete with countertraction post and spatula supports for adults and children. Possibility of being attached to the operating table and/or traction group.



PELVIS PLASTER DEVICE

9923057 For CENTURY - VANTO - ASSO - 100 - 90

Complete with countertraction post and spatula supports for adults and children. To be attached to the lower limbs traction device.



LOWER LIMBS TRACTION DEVICE

9923046 For OPT 20 - 30/1 - 40/1

Complete with:

- 1 fixed pelvis support
- 1 traction arm with screw tension device and traction device standing leg/bar (indifferently left or right)
- 1 standing device

and complete with the following:

- 1 countertraction bar with cylindrical cushion (cod. 9924025);
- 1 elongation bar (cod. 9919001);
- 1 adult traction boot - size M (cod. 9918003);
- 1 single Goepel knee crutch (cod. 9902002);
- 1 radial setting clamp (cod. 9901001)

To be used only with standing leg bar installed.





LOWER LIMBS TRACTION DEVICE

- 9923052** For CENTURY - VANTO - ASSO
9923060 For OPT 100 - 90

Complete with:

- 1 fixed pelvis support
- 1 pair of tiltable and removable buttock support
- 1 pair removable leg supports
- 1 traction arm with screw tension device, indifferently left or right

and complete with the following:

- 1 countertraction bar with cylindrical cushion (cod. 9924025);
- 1 adult traction boot - size M (cod. 9918003);
- 1 single Goepel knee crutch (cod. 9902002);
- 1 clamp for Goepel knee crutch (cod. 9901001)

LOWER LIMBS TRACTION DEVICE WITH VISCOELASTIC CUSHIONS



- 9923052P** For CENTURY - VANTO - ASSO

Complete with:

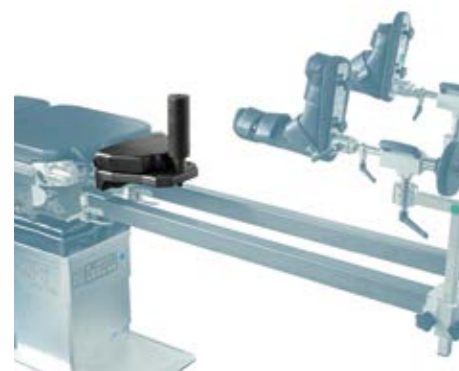
- 1 fixed pelvis support
- 1 pair of tiltable and removable buttock support
- 1 pair removable leg supports
- 1 traction arm with screw tension device, indifferently left or right

and complete with the following:

- 1 countertraction bar with cylindrical cushion (cod. 9924025);
- 1 adult traction boot - size M (cod. 9918003);
- 1 single Goepel knee crutch (cod. 9902002);
- 1 clamp for Goepel knee crutch (cod. 9901001)

Cushions are viscoelastic and memory foam with minimum thickness 80 mm.

RADIOLUCENT CARBON FIBRE LOWER LIMBS TRACTION DEVICE



- 9923065** For CENTURY - VANTO - ASSO

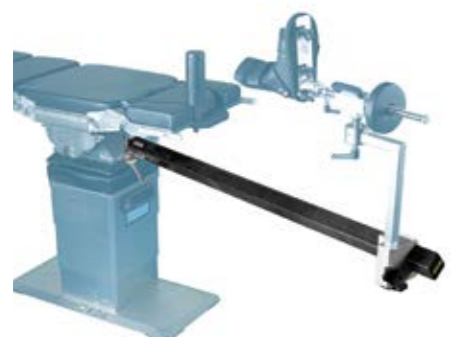
Complete with:

- 1 radiolucent fixed pelvis support
- 1 countertraction bar

To be completed necessarily with:

- 2 carbon fibre traction
- 2 screw tension devices
- 2 adult traction boots

CARBON FIBRE ROTATED TRACTION BAR



- 9923066** To complete the traction system cod. 9923065

It can be used indifferently left or right and is complete with n.1 clamp for positioning the screw tension device. The traction bar with rotated arm allows a better exposure to the x- ray thanks to a configuration that avoids stacking the carbon fibre layers.

Without screw tension device to be ordered separately.

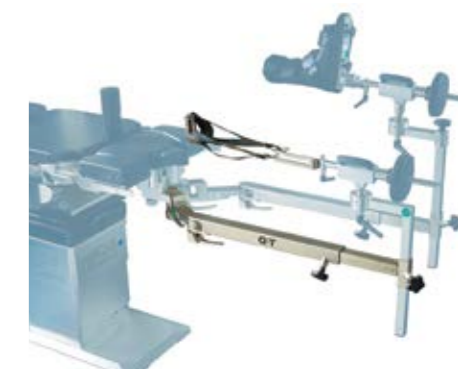
SINGLE TRACTION ARM

- 9923047** To complete the traction system cod. 9923046. With n. 1 stand supplied.
9923053 To complete the traction system cod. 9923052 and 9923052P

Complete with:

- 1 stirrup
- 2 ankle leather cuffs (1 for adults and 1 for children)
- 1 plate for positioning the safe leg

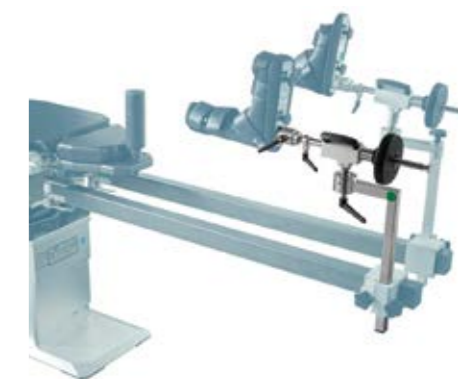
Without screw tension device to be ordered separately.



SCREW TENSION DEVICE

- 9923049**

For the second traction arm 9923047, 9923053 and 9923066.



SCREW TENSION DEVICE WITH HORIZONTAL ADJUSTMENT

- 9923077**

For the second traction arm 9923047, 9923053 and 9923066.



PAIR OF TRACTION LEG SUPPORTS

- 9923064** For traction device OPT 40/1 - 30/1
9923067 For traction device CENTURY - VANTO - ASSO

Legs section for traction support with sphere graft. Not tiltable. Advised for lower limbs traction device cod. 9923046 (but already included in code 9923052) or for hip prosthesis device cod. 9923069 - 9923058.





REMOVABLE TRACTION STANDING DEVICE LEG/BAR

9923045

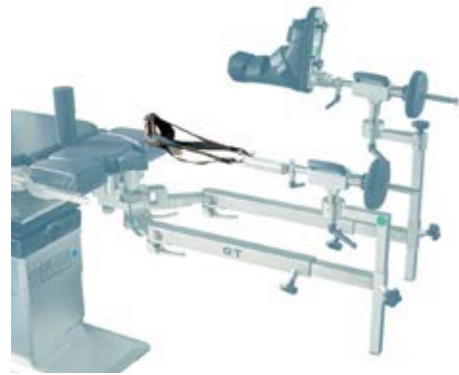
For the lower limbs traction device cod. 9923052 and 9923052P.



TRACTION BOOT (SINGLE)

9918003 Size M (41/45)
9918004 Size S (35/40)
9918005 Size XS (32/34)

To be fixed to a metal plate on a ball-and-socket joint. To be used with lower limbs traction device, it can be used on both right and left foot.



ANKLE LEATHER CUFFS (PAIR)

9912001 Adults
9912002 Paediatric
9912003 N. 1 for adults n. 1 for children

To be used with lower limbs traction device.



ELONGATION BAR

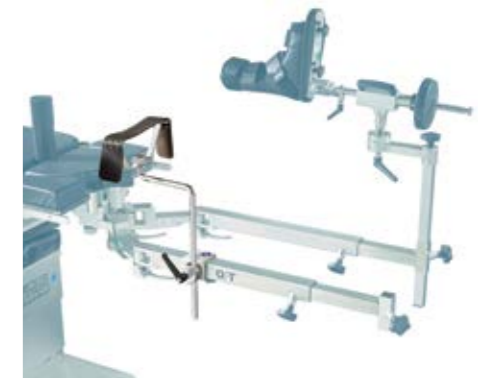
9919001 Length: 480 mm
9919003 Length: 300 mm

Complete with clamp.

POPLITEUS HOLDER ARCH (SINGLE)

9902014

For lower limbs traction device, complete with clamp.
Advised quantity: 2.



RADIOLUCENT POPLITEUS HOLDER PLATE (SINGLE)

9902017

For lower limbs traction device, radiolucent and complete with clamp.
Advised quantity: 2.



L-SHAPED COUNTER TRACTION AND PELVIS SUPPORT POST

9924026

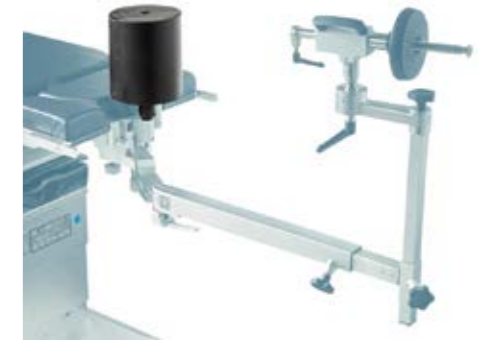
To be used on lower limbs traction device with patient in lateral decubitus.



CYLINDRICAL CUSHION FOR HIP ARTHROSCOPY

9924704

For hip arthroscopy with diameter 200 mm.





TIBIA NAILING DEVICE

9924027

With popliteus support, complete with cushions and height adjustable. To be fitted onto lower limbs traction device with the possibility of adjusting the leg inclination.



RADIOLUCENT PELVIS SURGERY DEVICE

9923055

To be used with tractioned limbs. Specialistic device completely radiolucent on its central part for Century, Asso and Vanto for pelvis surgery and fracture.



COUNTERTRACTION DEVICE FOR OBESES

9923078 For CENTURY – ASSO - VANTO

Support for countertraction bar to be fitted on lower limbs traction device.



CLAMP FOR TRACTION DEVICE

9901016

Square clamp for arm height traction.

STIRRUP TRACTION DEVICE

9923062

For models Martin, Aescolap, etc.



RIGID TRACTION DEVICE WITH STIRRUP

9923020

To be used with traction arm and screw tension device. Can be rotated and tilted.



TROLLEY FOR MOUNTED LOWER LIMBS TRACTION DEVICE

9920070 For CENTURY - VANTO - ASSO with standard and carbon fibre tractions

Complete with wire mesh basket, dimension 600 mm x 600 mm x 300 h mm. To be ordered according to th table (Asso/Vanto/Century), to the column (fixed/mobile/plus) and to the table top type.

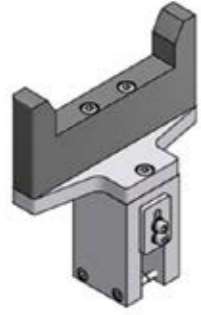


TROLLEY FOR MOUNTED TRACTION DEVICE

9923048 For OPT 20 - 30/1 - 40/1

Complete with wire mesh basket, dimension 600 mm x 600 mm x 300 h mm.





PREPARATION FOR TROLLEYS FOR LOWER LIMBS TRACTION DEVICE TO BE USED WITH A SINGLE TRACTION ARM

9920050S

Preparation device for trolleys for lower limb traction device that allows to move safely the tractions 9923052/9923052P with a single traction arm.



CUBE TROLLEY FOR DISMOUNTED TRACTION DEVICE

9920026

For the rapid and tidy storage of the entire traction system.



CUBE TROLLEY FOR VANTO DISMOUNTED CARBON FIBRE TRACTION DEVICE

9920055

For the rapid and tidy storage of the entire dismantled traction system.



NEUROLOGY | ENT | OPHTHAMOLOGY



SQUARE SECTION ADAPTER FOR HEADREST

- 9925010** For OPT 20 - 30 - 30/1
- 9925009** For OPT 70A - 80A - 90 - 100 - manual
- 9925013** For OPT 70 - 80 tipo B-C-D
- 9925024** For OPT 40 - 40/1

Connecting adapter for headrest or for headrest supporting bar (code 9924024), to be used in place of standard headrest of the table.



ADAPTER FOR HEADREST FOR CENTURY, VANTO AND ASSO

- 9925052** Per CENTURY - ASSO - VANTO

Connecting adapter for headrest or for headrest supporting bar (code 9924024), to be used in place of standard headrest of the table.



SUPPORTING BAR FOR HEADRESTS

- 9924024**

To be used with headrest (cod. 9905011) or helmet headrest (cod. 9905034/9905058) together with back plate for shoulder surgery; or to be used with headrest (cod. 9905011 and 9905039) and adapters to be ordered in relation to the table model.



SUPPORTING BAR - DOUBLE LEVER

- 9905038**

Support for square-shaped headrest to be used with trapezoidal back section plate (code 9907068 or 9907063), or with square-shaped insert adaptor for headrest 9905011 and 9905039.

HEADREST

- 9905039**

To be used with supporting bar 9905038 and head section adapter (to be ordered in according to the table) or with supporting bar 9924024 and related head section adapter (to be ordered in relation to the table).



HORSE-SHOE SHAPED HEADREST

- 9905011**

Height and width adjustable, swivelling on ball and socket joint, complete with antistatic cushion.

To be used with headrest connecting adapter, to be ordered separately.



HORSE-SHOE SHAPED FACIAL SUPPORT

- 9905035**

Width adjustable, for patient in prone position. Complete with cushions, supporting bar and clamp.

To be used with cushion code 9921002 (to be ordered separately).



HEADREST - HEIGHT ADJUSTABLE BY ROTATING KNOB

- 9905001**

Swivelling on ball and socket joint, complete with antistatic cushions.

To be used with connecting adapter (to be ordered in according to the table top) to be ordered separately.



HEADREST - INCLINATION ADJUSTABLE BY A SCREW

9905002

Height adjustable, complete with antistatic cushions.

To be used with connecting adapter (to be ordered in according to the table top) to be ordered separately.



HEADREST ON BALL JOINT

9905003

Height adjustable, complete with antistatic cushions.

To be used with connecting adapter (to be ordered in according to the table top) to be ordered separately.



HEADREST WITH ELBOW SUPPORT

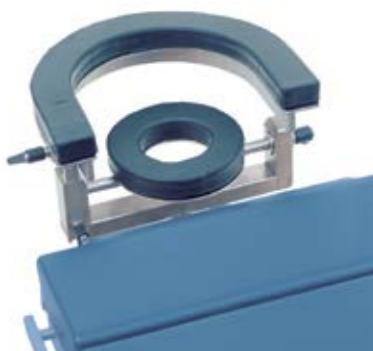
9905021 For OPT 20 - 30 - 30/1

9905024 For OPT 70A - 80A - 90 - 100

9905048 For OPT 40 - 40/1

9905M01 For CENTURY - ASSO - VANTO

Tiltable, height adjustable, with special elbow rest for surgeon with possibility of vertical and longitudinal adjustments. Complete with cushion. Adapter included.



PAIR OF ELBOW SUPPORTS

9906009

Height adjustable, swivelling on ball and socket joint. Complete with antistatic cushions and clamps.



SQUARE-SHAPED HEADREST

9921009 Dimensions: 260 x 260 x 80 mm - adults

9921010 Dimensions: 240 x 240 x 80 mm - paediatric

Square, ergonomic shape, radiolucent and antistatic material.

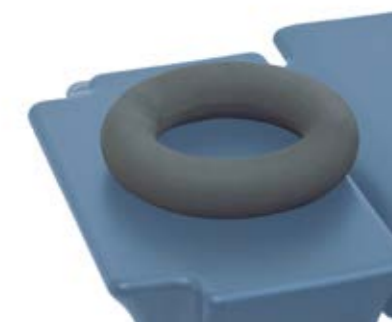


CIRCULAR HEADREST

9921013 Dimensions: Ø external 210 mm - Ø internal 120 mm

9921014 Dimensions: Ø external 180 mm - Ø internal 90 mm

Radiolucent and antistatic.



RADIOLUCENT SPINAL FRAME

C3103400

For positioning the patient in prone position, type Wilson. 360° radiolucent.



POSITIONING DEVICE FOR INTERVERTREBAL DISC PROCEDURE

9907057 Per CENTURY - ASSO - VANTO

9907055 For table tops OPT 100 cod 8611000/8612000/8616000 and OPT 90 cod. 7622000

To position the patient in genupectoral position. Complete with buttocks support, lateral patient body supports and height adjustable knee support by crank.





TROLLEY FOR POSITIONING DEVICE FOR INTERVERTEBRAL DISC PROCEDURE

- 9920022** For VANTO with table top cod. 8812000
- 9920032** For VANTO with table top cod. 8811000
- 9920031** For ASSO
- 9920035** For CENTURY
- 9920016** For table top OPT 100 cod 8611000/8612000
- 9920017** For table top OPT 100 cod 8616000
- 9920020** For table top OPT 90 cod 76220000

Trolley for transport and easy mounting/dismounting of positioning device. Complete with 2 wire mesh baskets of the following dimensions: 600 x 300 x 130h mm.

SPINAL CORD POSITIONING DEVICE

- 9907016** For OPT 20 - 30 - 40 - 30/1 - 40/1 - 70 - 80

Special device for spinal cord surgery, totally radiolucent, with arch shape (100°) and abdominal cut out (dimensions 150 x 500 mm). Complete with ergonomic cushions and edges for iliac crests; rotating, swivelling, and height adjustable knee supports.



CUSHION FOR DISC SURGERY

- 9921002** Dimensions: 820 x 460 x 100 mm - adults
- 9930033** Dimensions: 615 x 350 x 85 mm - paediatric

For intervertebral disc surgical operation, with abdominal cut-out.



CERVICAL RACHIS TRACTION DEVICE

- 9923063**

To be used with headrest adapter (according to the table model), supporting bar 9924024 and headrest 9905011, to be ordered separately.



KNEE SUPPORT FOR PROCTOLOGY AND FOR DISC SURGERY (PAIR)

- 9907026**
- 9907026P** For operating table with viscoelastic cushion

For proctology to attach onto the side rails of the single part leg section. Height and length adjustable for an optimal patient positioning.



CROSS-BAR ATTACHMENT FOR HEADRESTS

- 9907012** For OPT 20 - 30/1 - 40/1 - 70 - 80
- 9907050** For OPT 90 - 100
- 9907058** For CENTURY - ASSO - VANTO

For head positioning accessories and neurosurgery accessories, with patient in a seated position. Complete with clamps.



ADAPTER FOR ALLOY HEADRESTS

- 9925012** For OPT 70A - 80A - 90 - 100
- 9925014** For OPT 70 - 80 piani B-C-D
- 9925016** For OPT 20 - 30 - 30/1
- 9925025** For OPT 40 - 40/1

To be used instead of the standard head section, it is used to fix the headrest or the supporting bar cod. 9905038.



ADAPTER FOR ALLOY HEADRESTS

- 9925053** For CENTURY - ASSO - VANTO
- 9925054** Radiolucent - for CENTURY - ASSO - VANTO

To be used instead of the standard head section, it is used to fix the headrest or the supporting bar cod. 9905038.





ALLOY SKULL CLAMP

C3101611
C3103747

Provides 3 point rigid cranial fixation by giving flexibility and safety in the positioning of the pins around the critical areas of the skull. With quick release lock.



ADULT HORSESHOE HEADREST

C3101613
C3103785

Adult horseshoe rest for skull support in prone or supine position. With vertical and lateral adjustments that allow flexibility in patient positioning. Adjustable pad base accommodates various head sizes and gel pads for more comfort. With pulley rod attachment for skeletal traction.



ADULT REUSABLE SKULL PIN

C3101614 Single -Minimum required qty 3
C3103749 N. 3 pieces kit

Reusable.



CHILD REUSABLE SKULL PIN

C3101615 Single -Minimum required qty 3
C3103750 N. 3 pieces kit

Reusable.

ULTRA BASE UNIT

C3102321
C3103746

Support that facilitates attaching the skull clamp or the skull clamp to the operating table.



ADAPTOR

C3102323
C3103748

Attaches to base unit to provide flexibility in positioning via 360°rotation. Adapts skull clamps to base units.



PAEDIATRIC HORSESHOE REST

C3102610
C3103821

Horseshoe shaped headrest provides cranial support in the prone or supine position for infants and young children. Vertical and lateral adjustments allow flexibility in patient positioning. Adjustable pad base accommodates various head sizes. Complete with gel pads that provide comfort.



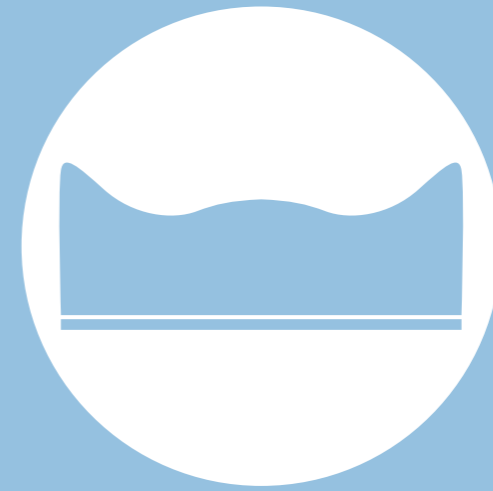
CARBON FIBRE RADIOLUCENT HEADREST SYSTEM

C3103728
C3103751 Disposable adult skull pins (36 pcs.) - cod. C3103807
Disposable children skull pins (36 pcs.) - cod. C3103808

Complete with:

- radiolucent skull clamp radiotransparent
- radio trasparent ultra base unit radiotransparent
- disposable adult skull pins - quantity 3





GEL PADS



CLOSED HEAD RING

C3103178 Diameter cm 9x4x2 (DM AP001)

CLOSED HEAD RING

C3103139 Diameter cm 14x6x3,5 (DM AP002)

CLOSED HEAD RING

C3103127 Diameter cm 20x7,5x4,5 (DM AP003)

OPEN HEAD RING

C3103180 Diameter cm 9x4x2 (DM AP011)

OPEN HEAD RING

C3103159 Diameter cm 14x6x3,5 (DM AP012)

OPEN HEAD RING

C3103128 Diameter cm 20x7,5x4,5 (DM AP013)



PRONE HEADREST

C3103140 cm 28x23x14,5 (DM AP022)

PRONE HEADREST

C3103181 cm 23x19x13 (DM AP023)

PAIR OF HEEL GEL SUPPORT

C3103160 cm 20x11x7 (DM AP031)



CHEST ROLL SIZE

C3103197 cm 30x15x10 (DM XG041)

CHEST ROLL SIZE

C3103130 cm 40x15x10 (DM XG042)

CHEST ROLL SIZE

C3103161 cm 50x15x10 (DM XG043)

CHEST ROLL SIZE

C3103740 cm 40,5X10X8,5 (DM AP045)

ARMBOARD PAD

C3103143 cm 40x12,5x2 (DM AP071)

ARMBOARD PAD

C3103162 cm 60x12,5x2 (DM AP072)

CONTOURED HEADREST

C3103179 cm 19x19x6 (DM AP081)

UNIVERSAL PATIENT POSITIONER

C3103375 cm 16x8x4,5 (DM AP091)

UNIVERSAL PATIENT POSITIONER

C3103376 cm 33x7x5 (DM AP092)

UNIVERSAL PATIENT POSITIONER

C3103144 cm 33x12x6 (DM AP093)

UNIVERSAL PATIENT POSITIONER

C3103145 cm 36x12,5x7 (DM AP094)

HEAD PAD

C3103182 cm 27x23x7 (DM AP110)

WILSON FRAME PAD

C3103188 cm 75x25,5x2,5 - set 2 pieces (DM AP210)

OPERATING TABLE PAD

C3103183 cm 23x50x1 (DM AP301)

OPERATING TABLE PAD

C3103184 cm 99x50x1 (DM AP302)



OPERATING TABLE PAD

C3103158 cm 50x50x1 (DM AP303)

OPERATING TABLE PAD

C3103185 cm 193x86x1 (DM AP401)

OPERATING TABLE PAD

C3103186 cm 183x50x1 (DM AP402)



GOEPEL KNEE CRUTCH PAD

C3103377 cm 52x30x1 (DM AP803)

BOOT STIRRUP PAD

C3103194 set 2 pcs - cm 23x28x1,3 (DM AP901)

OPERATING TABLE PAD

C3103051 cm 22x17x1 (DM AP413)

ARMBOARD PAD

C3102990 cm 40x12,5x3,8 (DM AP073)

OPERATING TABLE PAD WITH PERINEAL CUT

C3103057 cm 117x50x1 (DM AP409)



OPERATING TABLE PAD

C3102981 cm 117x50x1,5 (DM-AP409A)

OPERATING TABLE PAD

C3102912 cm 117x50x1 (DM-AP403A)

OPERATING TABLE PAD

C3103060 cm 15x50x1,5 (DM AP408A)

INDEX

ACCESSORY COMPATIBILITY WITH OPT OPERATING TABLES

Note:

- - accessories compatible with operating tables
- R - accessories to be installed on side rail
- H - accessories to be installed on the head side of the operating tables
- L - accessories to be installed on the feet side of the operating tables
- C - accessories to be used in combination with other accessories

										Compatibility					
Code	Description	Technical data	Page	Vanto	Asso	Century	40/1	30/1	NOTE						
9901001	RADIAL SETTING CLAMP		14	•	•	•	•	•	C+R						
9901007	CONTROL UNIT SUPPORT	For OPT 70-80-90-100-30/1-40/1	14				•	•	R						
9901010	CLAMP WITH RADIAL SETTING AND FAST LOCKING ATTACHMENT		14	•	•	•	•	•	C+R						
9901011	FIXED CLAMP WITH FAST LOCKING ATTACHMENT		14	•	•	•	•	•	C+R						
9901012	QUICK RELEASE CLAMP		15	•	•	•	•	•	C+R						
9901015	SINGLE CLAMP FOR DIRECT PLACEMENT STIRRUP		26	•	•	•	•	•	C+R						
9901016	CLAMP FOR TRACTION DEVICE		46	•	•	•	•	•	C+R						
9902001	SINGLE LEG HOLDER WITH LOOPS		24	•	•	•	•	•	C+R						
9902002	SINGLE GOEPEL KNEE CRUTCH		24	•	•	•	•	•	C+R						
9902003	PAIR OF KNEE CRUTCHES		24	•	•	•	•	•	R						
9902006	SINGLE THIGH HOLDER WITH CHAINS		24	•	•	•	•	•	C+R						
9902012	SINGLE PAEDIATRIC GOEPEL KNEE CRUTCH		25	•	•	•	•	•	C+R						
9902013	DIRECT PLACEMENT STIRRUP (PAIR)	Maximum Patient load: 160 kg	25	•	•	•	•	•	R						
9902014	POPLITEUS HOLDER ARCH (SINGLE)		45	•	•	•	•	•	C						
9902017	RADIOLUCENT POPLITEUS HOLDER PLATE (SINGLE)		45	•	•	•	•	•	C						
9902020	DIRECT PLACEMENT STIRRUP (PAIR)	Maximum Patient load: 182 kg	25	•	•	•	•	•	R						
9902020S	KIT OF DISPOSABLE TRANSPARENT DRAPES		26	•	•	•	•	•	C						
9902021	DIRECT PLACEMENT STIRRUP (PAIR)	Maximum Patient load: 272 kg	25	•	•	•	•	•	R						
9902022	DIRECT PLACEMENT STIRRUP (PAIR)	Maximum Patient load: 360 kg	25	•	•	•	•	•	R						
9903001	ANAESTHESIA SCREEN	For OPT 20 - 30/1 - 40/1 - 70 - 80	6				•	•	R						
9903003	L-SHAPED ANAESTHESIA SCREEN		6	•	•	•	•	•	C+R						
9903005	ANAESTHESIA SCREEN	For OPT 90 - 100	6						L						
9903007	ANAESTHESIA SCREEN	For CENTURY - VANTO - ASSO	6	•	•	•			R						
9903009	FLEXIBLE SCREEN		6	•	•	•	•	•	C+R						
9904003	PAIR OF ADJUSTABLE SHOULDER SUPPORTS		15	•	•	•	•	•	R						
9905001	HEAD REST - HEIGHT ADJUSTABLE BY ROTATING KNOB		51	•	•	•	•	•	C+H						
9905002	HEAD REST - INCLINATION ADJUSTABLE BY A SCREW		52	•	•	•	•	•	C+H						
9905003	HEAD REST ON BALL JOINT		52	•	•	•	•	•	C+H						
9905011	HORSE-SHOE SHAPED HEAD REST		51	•	•	•	•	•	C+H						
9905021	HEAD REST WITH ELBOW SUPPORT	For OPT 20 - 30 - 30/1	52					•	H						
9905024	HEAD REST WITH ELBOW SUPPORT	For OPT 70A - 80A - 90 - 100	52						H						
9905M01	HEAD REST WITH ELBOW SUPPORT	For CENTURY - ASSO - VANTO	52	•	•	•			H						
9905034	HELMET-SHAPED HEAD REST		35	•	•	•	•	•	C+H						
9905035	HORSE-SHOE SHAPED FACIAL SUPPORT		51	•	•	•	•	•	R						
9905038	SUPPORTING BAR - DOUBLE LEVER		50	•	•	•	•	•	C+H						
9905039	SQUARE-SHAPED HEAD REST		51	•	•	•	•	•	C+H						
9905048	HEAD REST WITH ELBOW SUPPORT	For OPT 40 - 40/1	52				•		H						
9905057	CARBON FIBRE HEAD SECTION FOR VASCULAR TABLE TOP	For OPT 40/1	30				•		H						

										Compatibility					
Code	Description	Technical data	Page	Vanto	Asso	Century	40/1	30/1	NOTE						
9905058	MODULAR HELMET HEAD REST		35	•	•	•	•	•	C+H						
9905068	HEADREST FOR VASCULAR AND XY VANTO TABLE TOP	For vascular table top VANTO codes 8830000-8833000	30	•					H						
9905071	RECLINABLE HEADREST FOR VANTO VASCULAR TABLE TOP AND XY TABLE TOP	For vascular table top VANTO codes 8830000-8833000	31	•					H						
9906003	ARM SUPPORT FOR PATIENT IN LATERAL DECUBITUS		11	•	•	•	•	•	C+R						
9906006	ARM SUPPORT FOR ADULTS ON BALL JOINT	For OPT 70 - 80 - 90 - 100	9						R						
9906009	PAIR OF ELBOW SUPPORTS		52	•	•	•	•	•	R						
9906012	PAEDIATRIC ARM SUPPORT	Paediatric - Dimensions: 260 x 100 mm	9	•	•	•	•	•	R						
9906013	ARM SUPPORT - ON BALL JOINT	Dimensions: 500 x 140 mm	9	•	•	•	•	•	R						
9906014	PLATE FOR HUMERUS SURGERY	For backplate code 9907052	36						C						
9906015	WIDTH EXTENSION FLAT SHAPE (SINGLE)	For OPT 70 - 80 - 90 - 100 Dimensions: 240 x 81 mm	20						R						
9906016	CURVED WIDTH EXTENSION (SINGLE)	For OPT 70 - 80 - 90 - 100 Dimensions: 200 x 200 mm	20						R						
9906018	ARM SUPPORT ON BALL JOINT WITH LEVER	For OPT 70 - 80 - 90 - 100	10						R						
9906019	ARM SUPPORT ON BALL JOINT	For obeses - Dimensions: 500 x 248 mm	9	•	•	•	•	•	R						
9906020	PLATE FOR HUMERUS SURGERY	For backplate code 9907061	36	•	•	•			C						
9906021	ARM SUPPORT FOR ADULTS ON BALL JOINT	Standard for OPT 20 - 30/1 - 40/1 - CENTURY - ASSO - VANTO	9	•	•	•	•	•	R						
9906021P	ARM SUPPORT FOR ADULTS ON BALL JOINT	For operating table with viscoelastic cushion	9	•	•	•	•	•	R						
9906022	CURVED WIDTH EXTENSION (SINGLE)	For OPT 20 - 30/1 - 40/1 - CENTURY - ASSO - VANTO - Dimensions 200 x 200 mm	20	•	•	•	•	•	R						
9906023	WIDTH EXTENSION FLAT SHAPE (SINGLE)	For OPT 20 - 30/1 - 40/1 - CENTURY - ASSO - VANTO - Dimensions 300 x 81 mm	20	•	•	•	•	•	R						
9906026	ARM SUPPORT - LONGITUDINALLY AND HEIGHT ADJUSTABLE		10	•	•	•	•	•	R						
9906027	PLATE FOR HUMERUS SURGERY	For backplate code 9907065	36					•	C						
9906028	ARM SUPPORT WITH TRIPLE JOINT FOR PATIENTS IN LATERAL DECUBITUS	Dimensions: 400 x 150 mm	10	•	•	•	•	•	R						
9906029	ARM SUPPORT FOR PARK BENCH POSITION WITH FAST LOCKING CLAMP	Dimensions: 510 x 140 mm	11	•	•	•	•	•	R						
9906030	ARM SUPPORT ON BALL JOINT WITH LEVER	For OPT 20 - 30/1 - 40/1 - CENTURY - ASSO - VANTO	10	•	•	•	•	•	R						
9906031	PLATE FOR HUMERUS SURGERY	For backplate code 9907071	36	•	•	•			C						
9906031P	PLATE FOR HUMERUS SURGERY	For backplate code 9907071P	36	•	•	•			C						
9906032	ARM SUPPORT ON BALL JOINT		10	•	•	•	•	•	R						
9906801	SUSPENDED ARM STRAP		6	•	•	•	•	•	C						
9907003	MENISCUS POSITIONING DEVICE		39	•	•	•	•	•	R						
9907012	CROSS-BAR ATTACHMENT FOR HEAD RESTS	For OPT 20 - 30/1 - 40/1 - 70 - 80	55					•	C+R						
9907016	SPINAL CORD POSITIONING DEVICE	For OPT 20 - 30 - 40 - 30/1 - 40/1 - 70 - 80	54					•	R						
9907020	ARCH-SHAPED DEVICE FOR COSTAL EDGE TRACTION	For OPT 20 - 30/1 - 40/1 - 70 - 80	19					•	R						
9907026	KNEE SUPPORT FOR PROCTOLOGY AND FOR DISC SURGERY (PAIR)		27-55	•	•	•	•	•	R						
9907026P	KNEE SUPPORT FOR PROCTOLOGY AND FOR DISC SURGERY (PAIR)	For operating table with viscoelastic cushion	27-55	•	•	•	•	•	R						
9907028	BACK PLATE FOR SHOULDER SURGERY	For OPT 70 - 80 table top A-D	34						H						
9907031	BACK PLATE FOR SHOULDER SURGERY	For OPT 20 - 30 - 30/1	34						H						
9907032	KNEE POSITIONING DEVICE WITH LATERAL ADJUSTABLE SUPPORTS WITH CLAMP		39	•	•	•	•	•	R						
9907034	KNEE ARTHROSCOPY DEVICE		39	•	•	•	•	•	R						

Code	Description	Technical data	Page	Compatibility						NOTE
				Vanto	Asso	Century	40/1	30/1		
9907038	HUMERUS AND FOREARM POSITIONING DEVICE		36	•	•	•	•	•		R
9907039	BACK PLATE FOR SHOULDER SURGERY	For OPT 100 D-TA	34							C+H
9907041	ARCH-SHAPED DEVICE FOR COSTAL EDGE TRACTION	For OPT 90 - 100	19							R
9907042	BACK PLATE FOR SHOULDER SURGERY	For OPT 70 - 80 table top A3-B-C	34							H
9907046	LIGHT SHOULDER ARTHROSCOPY DEVICE	For OPT 100 D	37							R
9907049	LIGHT SHOULDER ARTHROSCOPY DEVICE	For OPT 90 - 100 A1-A2	37							R
9907050	CROSS-BAR ATTACHMENT FOR HEAD RESTS	For OPT 90 - 100	55							C+R
9907052	BACK PLATE FOR SHOULDER SURGERY	For OPT 90 - 100	34							C+H
9907055	POSITIONING DEVICE FOR INTERVERTREBAL DISC PROCEDURE	For table tops OPT 100 codes 8611000/8612000/8616000 and OPT 90 code 7622000	53							L
9907057	POSITIONING DEVICE FOR INTERVERTREBAL DISC PROCEDURE	For CENTURY - ASSO - VANTO	53	•	•	•				L
9907058	CROSS-BAR ATTACHMENT FOR HEAD RESTS	For CENTURY - ASSO - VANTO	55	•	•	•				C+R
9907059	ARCH-SHAPED DEVICE FOR COSTAL EDGE TRACTION	For CENTURY - VANTO - ASSO	19	•	•	•				R
9907061	BACK PLATE FOR SHOULDER SURGERY	For CENTURY - VANTO - ASSO	34	•	•	•				C+H
9907065	BACK PLATE FOR SHOULDER SURGERY	For OPT 40/1	34				•			C+H
9907067	FLEXIBLE SUPPORT FOR ANAESTHESIA TUBES		11	•	•	•	•	•		R
9907071	BACK PLATE FOR SHOULDER SURGERY	For CENTURY - VANTO - ASSO	34	•	•	•				C+H
9907071P	BACK PLATE FOR SHOULDER SURGERY	For CENTURY - VANTO - ASSO with viscoelastic cushion	34	•	•	•				C+H
9907072	LIGHT SHOULDER ARTHROSCOPY DEVICE		37	•	•	•	•	•		R
9907075	FOLDABLE KNEE ARTHROSCOPY DEVICE		40	•	•	•	•	•		R
9907079	SLIDING POSITIONER FOR KNEE PROTHESIS	Lenght adjustable of 610 mm	40	•	•	•	•	•		R
9907080	SLIDING POSITIONER FOR KNEE PROTHESIS	Lenght adjustable of 760 mm	40	•	•	•	•	•		R
9908001	STERNAL - BACK SUPPORT		16	•	•	•	•	•		C
9908002	BACK BUTTOCKS SUPPORT	Dimensions: 200 x 80 mm	16	•	•	•	•	•		C
9908003	BUTTERFLY-SHAPED CHEST SUPPORT		17	•	•	•	•	•		C
9908004	CHEST SUPPORT		17	•	•	•	•	•		C
9908005	SACRAL SUPPORT		17	•	•	•	•	•		C
9908006	PUBIS SUPPORT		17	•	•	•	•	•		C
9908009	UNIVERSAL LATERAL SUPPORT		15	•	•	•	•	•		C+R
9908019	UNIVERSAL LATERAL SUPPORT		16	•	•	•	•	•		C+R
9908020	CYLINDRICAL LATERAL SUPPORT		18	•	•	•	•	•		C
9908021	FLAT SIZE BODY SUPPORT	Standard	18	•	•	•	•	•		R
9908021P	FLAT SIZE BODY SUPPORT	For operating table with viscoelastic cushion	18	•	•	•	•	•		R
9908022	UNIVERSAL LATERAL SUPPORT		16	•	•	•	•	•		C+R
9908026	BACK BUTTOCKS SUPPORT	Dimensions: 280 x 140 mm	16	•	•	•	•	•		C
9908027	HIP PROTHESIS POSITIONING DEVICE		38	•	•	•	•	•		R
9908029	LATERAL SUPPORT FOR SHOULDER SURGERY		35	•	•	•	•	•		R
9909002	HAND SURGERY TABLE	Dimensions 700 x 300 mm	38	•	•	•	•	•		R
9909004	HAND SURGERY TABLE	Dimensions 700 x 500 mm	38	•	•	•	•	•		R
9909008	PAIR OF ADJUSTABLE FEET SUPPORTS		15	•	•	•	•	•		R
9909009	SLIDING ROLLER SUPPORT FOR KNEE PROTHESIS		40	•	•	•	•	•		R
9909010	ADJUSTABLE HUMERUS SUPPORT		36	•	•	•	•	•		R
9909013	HEIGHT ADJUSTABLE PLATE FOR HUMERUS SURGERY		36	•	•	•	•	•		R
9909014	ARM AND HAND SURGERY TABLE	Made with carbon fibre	38	•	•	•	•	•		R

Code	Description	Technical data	Page	Compatibility						NOTE
				Vanto	Asso	Century	40/1	30/1		
9909015	ARM AND HAND SURGERY TABLE	Made with phenolic resin	38	•	•	•	•	•		R
9910002	INSTRUMENT TRAY		19	•	•	•	•	•		C+R
9911005	FLOOR MOBILE FRAME		27	•	•	•	•	•		
9911012	FRAME FOR INSTRUMENT TRAY OR T.U.R. DRAINAGE SET		26	•	•	•	•	•		C+R
9911013	PERINEAL INSTRUMENT TRAY		26	•	•	•	•	•		C+R
9911202	UROLOGICAL PAN/T.U.R. DRAINAGE SET		27	•	•	•	•	•		C+R
9912001	ANKLE LEATHER CUFFS (PAIR)	Adults	44	•	•	•	•	•		C
9912002	ANKLE LEATHER CUFFS (PAIR)	Paediatric	44	•	•	•	•	•		C
9912003	ANKLE LEATHER CUFFS (PAIR)	N. 1 adult and n. 1 paediatric	44	•	•	•	•	•		C
9913002	SINGLE KNEE SUPPORT		19	•	•	•	•	•		C+R
9914001	BODY/LEG STRAP	Standard - width 60 mm	7	•	•	•	•	•		R
9914005	SINGLE LEG STRAP		7	•	•	•	•	•		R
9914008	BODY/LEG STRAP	For obeses - width 150 mm	7	•	•	•	•	•		R
9914009	BODY/LEG STRAP	For OPT 20 - 30/1 - 40/1 - 90 - 100 - ASSO - CENTURY - VANTO	7	•	•	•	•	•		R
9914011	SINGLE LEG STRAP		8	•	•	•	•	•		R
9914012	BODY / LEG STRAP WITH VELCRO CLOSURE	For OPT 20 - 30/1 - 40/1 - 90 - 100 - ASSO - CENTURY - VANTO	7	•	•	•	•	•		R
9914013	PADDED BODY STRAP	For OPT 20 - 30/1 - 40/1 - 90 - 100 - ASSO - CENTURY - VANTO	35	•	•	•	•	•		R
9915001	LEATHER WRISTLET	Standard	8	•	•	•	•	•		R
9915002	WRIST SUPPORT	Standard	8	•	•	•	•	•		R
9915002P	WRIST SUPPORT	For operating table with viscoelastic cushion	8	•	•	•	•	•		R
9915003	LEATHER WRISTLET	Paediatric	8	•	•	•	•	•		R
9915004	ARM PROTECTOR	Adults - Length 400 mm and height 130 mm	8	•	•	•	•	•		R
9915005	LEATHER WRISTLET	For obeses	8	•	•	•	•	•		R
9915006	ARM PROTECTOR	Paediatric - Length 300 mm and height 100 mm	8	•	•	•	•	•		R
9916002	INFUSION ROD		9	•	•	•	•	•		R
9918003	TRACTION BOOT (SINGLE)	Size M (41/45)	44	•	•	•	•	•		C
9918004	TRACTION BOOT (SINGLE)	Size S (35/40)	44	•	•	•	•	•		C
9918005	TRACTION BOOT (SINGLE)	Size XS (32/34)	44	•	•	•	•	•		C
9919001	ELONGATION BAR	Length 480 mm	44	•	•	•	•	•		R
9919003	ELONGATION BAR	Length 300 mm	44	•	•	•	•	•		R
9920001	ACCESSORIES' TROLLEY		21	•	•	•	•	•		
9920003	UNILATERAL STAINLESS STEEL ACCESSORIES TROLLEY		21	•	•	•	•	•		
9920006	BILATERAL STAINLESS STEEL ACCESSORIES TROLLEY		21	•	•	•	•	•		
9920016	TROLLEY FOR POSITIONING DEVICE FOR INTERVERTREBAL DISC PROCEDURE	For table top OPT 100 codes 8611000/8612000	54							
9920017	TROLLEY FOR POSITIONING DEVICE FOR INTERVERTREBAL DISC PROCEDURE	For table top OPT 100 code 8616000	54							
9920020	TROLLEY FOR POSITIONING DEVICE FOR INTERVERTREBAL DISC PROCEDURE	For table top OPT 90 code 7622000	54							
9920022	TROLLEY FOR POSITIONING DEVICE FOR INTERVERTREBAL DISC PROCEDURE	For VANTO with table top code 8812000	54	•						
9920026	CUBE TROLLEY FOR DISMOUNTED TRACTION DEVICE		48	•	•	•				
9920027	CLEANING TROLLEY FOR VANTO COLUMN	For OPT 100	20							
9920028	CLEANING TROLLEY FOR VANTO COLUMN	For VANTO	20	•						
9920031	TROLLEY FOR POSITIONING DEVICE FOR INTERVERTREBAL DISC PROCEDURE	For ASSO	54		•					

Code	Description	Technical data	Page	Compatibility						NOTE
				Vanto	Asso	Century	40/1	30/1		
9920032	TROLLEY FOR POSITIONING DEVICE FOR INTERVERTREBAL DISC PROCEDURE	For VANTO with table top code 8811000	54	•						
9920035	TROLLEY FOR POSITIONING DEVICE FOR INTERVERTREBAL DISC PROCEDURE	For CENTURY	54			•				
9920050S	PREPARATION FOR TROLLEYS FOR LOWER LIMBS TRACTION DEVICE TO BE USED WITH A SINGLE TRACTION ARM		48	•	•	•	•	•		C
9920051	COMPONENT STAND	For VANTO - ASSO - CENTURY	21	•	•	•				
9920055	CUBE TROLLEY FOR VANTO DISMOUNTED CARBON FIBRE TRACTION DEVICE		48	•	•	•				
9920070	TROLLEY FOR MOUNTED LOWER LIMBS TRACTION DEVICE	For CENTURY - VANTO - ASSO with standard and carbon fibre tractions	47	•						
9921002	CUSHION FOR DISC SURGERY	Dimensions: 820 x 460 x 100 mm - adults	54	•	•	•	•	•		
9921009	SQUARE-SHAPED HEAD REST	Dimensions: 260 x 260 x 80 mm - adults	53	•	•	•	•	•		
9921010	SQUARE-SHAPED HEAD REST	Dimensions: 240 x 240 x 80 mm - paediatric	53	•	•	•	•	•		
9921013	CIRCULAR HEAD REST	Dimensions: Ø external 210 mm - Ø internal 120 mm	53	•	•	•	•	•		
9921014	CIRCULAR HEAD REST	Dimensions: Ø external 180 mm - Ø internal 90 mm	53	•	•	•	•	•		
9921015	TUNNEL CUSHION		19	•	•	•	•	•		
9921016	WEDGE-SHAPED PAD		18	•	•	•	•	•		
9921018	SEMICIRCULAR CUSHION		18	•	•	•	•	•		
9921019	CENTRAL VANTO CUSHION WITH COUNTERTRACTION DEVICE	For Vanto table top code 8812000	20	•						C
9922002	X-RAY CASSETTE HOLDER		30	•	•	•	•	•		R
9923020	RIGID TRACTION DEVICE WITH STIRRUP		47	•	•	•	•	•		C
9923045	REMOVABLE TRACTION STANDING DEVICE LEG/BAR		45	•	•	•				C
9923046	LOWER LIMBS TRACTION DEVICE	For OPT 20 - 30/1 - 40/1	41				•	•		L
9923047	SINGLE TRACTION ARM	To complete traction device code 9923046	43				•	•		C+L
9923048	TROLLEY FOR MOUNTED TRACTION DEVICE TYPE HIGH	For OPT 20 - 30/1 - 40/1	47				•	•		
9923049	SCREW TENSION DEVICE		43				•	•		C
9923051	TRUNCH AND THORAX PLASTER DEVICE	For CENTURY - VANTO - ASSO	41	•	•	•				H
9923052	LOWER LIMBS TRACTION DEVICE TYPE HIGH	For CENTURY - VANTO - ASSO	42	•	•	•				L
9923052P	LOWER LIMBS TRACTION DEVICE TYPE HIGH WITH VISCOELASTIC CUSHIONS	For CENTURY - VANTO - ASSO	42	•	•	•				L
9923053	SINGLE TRACTION ARM	To complete traction device code 9923052 and 9923052P	43	•	•	•				C+L
9923055	RADIOLUCENT PELVIS SURGERY DEVICE		46	•	•	•				L
9923057	PELVIS PLASTER DEVICE	For CENTURY - VANTO - ASSO - 100 - 90	41	•	•	•				C+L
9923058	CARBON FIBRE HIP PROTHESIS DEVICE	For OPT 90 - 100	40							C+L
9923060	LOWER LIMBS TRACTION DEVICE TYPE HIGH	For OPT 100 - 90	42							L
9923061	TRUNCH AND THORAX PLASTER DEVICE	For OPT 20 - 30/1 - 40/1	41				•	•		H
9923062	STIRRUP TRACTION DEVICE		47	•	•	•	•	•		C+R
9923063	CERVICAL RACHIS TRACTION DEVICE		54	•	•	•	•	•		C+H
9923064	PAIR OF TRACTION LEG SUPPORTS	For traction device OPT 40/1 - 30/1	43				•	•		C+L
9923065	RADIOLUCENT CARBON FIBRE LOWER LIMBS TRACTION DEVICE	For CENTURY - VANTO - ASSO	42	•	•	•				C+L
9923066	CARBON FIBRE ROTATED TRACTION BAR	To complete traction device code 9923065	42	•	•	•				C+L
9923067	PAIR OF TRACTION LEG SUPPORTS	For traction device CENTURY - VANTO - ASSO	43	•	•	•				C+L

Code	Description	Technical data	Page	Compatibility						NOTE
				Vanto	Asso	Century	40/1	30/1		
9923069	CARBON FIBRE HIP PROTHESIS DEVICE	For CENTURY - VANTO - ASSO	40	•	•	•				L
9923071	PELVIC - PODALIC ACCESSORY	For CENTURY - VANTO - ASSO	41	•	•	•				C+L
9923074			45							
9923075	PELVIC - PODALIC ACCESSORY	For OPT 90 - 100	41							L
9923077	SCREW TENSION DEVICE WITH HORIZONTAL ADJUSTMENT		43	•	•	•				C
9923078	COUNTERTRACTION DEVICE FOR OBESES	For CENTURY - ASSO - VANTO	46	•	•	•				L
9923079	PELVIC - PODALIC ACCESSORY	For OPT 20 - 30/1 - 40/1	41				•	•		L
9924021	PATIENT HANDLE FOR GYNAECOLOGY (SINGLE)		27	•	•	•	•	•		R
9924024	SUPPORTING BAR FOR HEAD RESTS		34-50	•	•	•	•	•		C+H
9924026	L-SHAPED COUNTER TRACTION AND PELVIS SUPPORT POST		45	•	•	•	•	•		C+L
9924027	TIBIA NAILING DEVICE		46	•	•	•	•	•		C+L
9924704	CYLINDRICAL CUSHION FOR HIP ARTHROSCOPY		45	•	•	•	•	•		C
9925009	SQUARE SECTION ADAPTER FOR HEAD REST	For OPT 70A - 80A - 90 - 100 - manual	50							C+H
9925010	SQUARE SECTION ADAPTER FOR HEAD REST	For OPT 20 - 30 - 30/1	50						•	C+H
9925012	ADAPTER FOR ALLOY HEAD RESTS	For OPT 70A - 80A - 90 - 100	55							C+H
9925013	SQUARE SECTION ADAPTER FOR HEAD REST	For OPT 70 - 80 tipo B-C-D	50							C+H
9925014	ADAPTER FOR ALLOY HEAD RESTS	For OPT 70 - 80 table tops B-C-D	55							C+H
9925016	ADAPTER FOR ALLOY HEAD RESTS	For OPT 20 - 30 - 30/1	55							•
9925024	SQUARE SECTION ADAPTER FOR HEAD REST	For OPT 40 - 40/1	50				•			C+H
9925025	ADAPTER FOR ALLOY HEAD RESTS	For OPT 40 - 40/1	55				•			C+H
9925027	MEDACTA ADAPTER	For traction device code 9923052 - 9923060	39	•	•	•				L
9925052	ADAPTER FOR HEAD REST FOR CENTURY, VANTO AND ASSO	For CENTURY - ASSO - VANTO	50	•	•	•				C+H
9925053	ADAPTER FOR ALLOY HEAD RESTS	For CENTURY - ASSO - VANTO	55	•	•	•				C+H
9925054	ADAPTER FOR ALLOY HEAD RESTS	Radiolucent - For CENTURY - ASSO - VANTO	55	•	•	•				C+H
9928003	RAILING LATERAL EDGE (SINGLE)		11	•	•	•	•	•		R
9929003	FRAME FOR X-RAY CASSETTES		30	•	•	•	•	•		C
9930033	CUSHION FOR DISC SURGERY	Dimensions: 615 x 350 x 85 mm - paediatric	54	•	•	•	•	•		
9933014	PLATE WITH SIDE RAIL FOR VASCULAR TABLE TOP OPT 40/1	For vascular table top OPT 40/1 - 90 - 100	31				•			
9933015	PLATE WITH SIDE RAILS FOR CARBON FIBRE SECTIONS	For OPT 30/1 - 40/1 - CENTURY - ASSO - VANTO	31	•	•	•	•	•		
9933023	PLATE WITH SIDE RAIL FOR VANTO VASCULAR TABLE TOP AND XY TABLE TOP	For vascular table top VANTO codes 8830000-8833000	31	•						
99070770	OPT ARM		37	•	•	•	•	•		R
9907077D	ARM SUPPORT SURGERY TABLE FOR OPT ARM		37	•	•	•	•	•		C
9907077E	COUNTERTRACTION ARM FOR OPT ARM		38	•	•	•	•	•		C
9907077S	DISPOSABLE KIT FOR OPT ARM		37	•	•	•	•	•		C
C3101611	ALLOY SKULL CLAMP		56	•	•	•	•	•		C+H
C3101613	ADULT HORSESHOE HEADREST		56	•	•	•	•	•		C+H
C3101614	ADULT REUSABLE SKULL PIN	Single -Minimum required qty 3	56	•	•	•	•	•		C+H
C3101615	CHILD REUSABLE SKULL PIN	Single -Minimum required qty 3	56	•	•	•	•	•		C+H
C3102321	ULTRA BASE UNIT		57	•	•	•	•	•		C+H

Code	Description	Technical data	Page	Compatibility						NOTE
				Vanto	Asso	Century	40/1	30/1		
C3102323	SWIVEL ADAPTOR		57	•	•	•	•	•	C+H	
C3102610	PAEDIATRIC HORSESHOE REST		57	•	•	•	•	•	C+H	
C3102912	OPERATING TABLE PAD	cm 117 x 50 x 1 (DM-AP403A)	62	•	•	•	•	•		
C3102981	OPERATING TABLE PAD	cm 117 x 50 x 1,5 (DM-AP409A)	62	•	•	•	•	•		
C3102990	ARMBOARD PAD	cm 40 x 12,5 x 3,8 (DM AP073)	62	•	•	•	•	•		
C3103051	OPERATING TABLE PAD	cm 22 x 17 x 1 (DM AP413)	62	•	•	•	•	•		
C3103057	OPERATING TABLE PAD WITH PERINEAL CUT	cm 117 x 50 x 1 (DM AP409)	62	•	•	•	•	•		
C3103060	OPERATING TABLE PAD	cm 15 x 50 x 1,5 (DM AP408A)	62	•	•	•	•	•		
C3103127	CLOSED HEAD RING	Diameter cm 20 x 7,5 x 4,5 (DM AP003)	60	•	•	•	•	•		
C3103128	OPEN HEAD RING	Diameter cm 20 x 7,5 x 4,5 (DM AP013)	60	•	•	•	•	•		
C3103130	CHEST ROLL SIZE	cm 40 x 15 x 10 (DM XG042)	60	•	•	•	•	•		
C3103139	CLOSED HEAD RING	Diameter cm 14 x 6 x 3,5 (DM AP002)	60	•	•	•	•	•		
C3103140	PRONE HEAD REST	cm 28 x 23 x 14,5 (DM AP022)	60	•	•	•	•	•		
C3103143	ARMBOARD PAD	cm 40 x 12,5 x 2 (DM AP071)	61	•	•	•	•	•		
C3103144	UNIVERSAL PATIENT POSITIONER	cm 33 x 12 x 6 (DM AP093)	61	•	•	•	•	•		
C3103145	UNIVERSAL PATIENT POSITIONER	cm 36 x 12,5 x 7 (DM AP094)	61	•	•	•	•	•		
C3103158	OPERATING TABLE PAD	cm 50 x 50 x 1 (DM AP303)	62	•	•	•	•	•		
C3103159	OPEN HEAD RING	Diameter cm 14 x 6 x 3,5 (DM AP012)	60	•	•	•	•	•		
C3103160	PAIR OF HEEL GEL SUPPORT	cm 20 x 11 x 7 (DM AP031)	60	•	•	•	•	•		
C3103161	CHEST ROLL SIZE	cm 50 x 15 x 10 (DM XG043)	60	•	•	•	•	•		
C3103162	ARMBOARD PAD	cm 60 x 12,5 x 2 (DM AP072)	61	•	•	•	•	•		
C3103178	CLOSED HEAD RING	Diameter cm 9 x 4 x 2 (DM AP001)	60	•	•	•	•	•		
C3103179	CONTOURED HEADREST	cm 19 x 19 x 6 (DM AP081)	61	•	•	•	•	•		
C3103180	OPEN HEAD RING	Diameter cm 9 x 4 x 2 (DM AP011)	60	•	•	•	•	•		
C3103181	PRONE HEAD REST	cm 23 x 19 x 13 (DM AP023)	60	•	•	•	•	•		
C3103182	HEAD PAD	cm 27 x 23 x 7 (DM AP110)	61	•	•	•	•	•		
C3103183	OPERATING TABLE PAD	cm 23 x 50 x 1 (DM AP301)	61	•	•	•	•	•		
C3103184	OPERATING TABLE PAD	cm 99 x 50 x 1 (DM AP302)	61	•	•	•	•	•		
C3103185	OPERATING TABLE PAD	cm 193 x 86 x 1 (DM AP401)	62	•	•	•	•	•		
C3103186	OPERATING TABLE PAD	cm 183 x 50 x 1 (DM AP402)	62	•	•	•	•	•		
C3103188	WILSON FRAME PAD	cm 75 x 25,5 x 2,5 - set 2 pieces (DM AP210)	61	•	•	•	•	•		
C3103194	BOOT STIRRUP PAD	set 2 pieces - cm 23 • 28 • 1,3 (DM AP901)	62	•	•	•	•	•		
C3103197	CHEST ROLL SIZE	cm 30 x 15 x 10 (DM XG041)	60	•	•	•	•	•		
C3103375	UNIVERSAL PATIENT POSITIONER	cm 16 x 8 x 4,5 (DM AP091)	61	•	•	•	•	•		
C3103376	UNIVERSAL PATIENT POSITIONER	cm 33 x 7 x 5 (DM AP092)	61	•	•	•	•	•		
C3103377	GOEPEL KNEE CRUTCH PAD	cm 52 x 30 x 1 (DM AP803)	62	•	•	•	•	•		
C3103400	RADIOLUCENT SPINAL FRAME TYPE WILSON		53	•	•	•	•	•	R	
C3103401	WARMING MATTRESS		12	•	•	•	•	•		
C3103403	DISPOSABLE COVER		12	•	•	•	•	•		
C3103728	CARBON FIBRE RADIOLUCENT HEAD REST SYSTEM		57	•	•	•	•	•	R	
C3103740	CHEST ROLL SIZE	cm 40,5 x 10 x 8,5 (DM AP045)	61	•	•	•	•	•		
C3103746	ULTRA BASE UNIT		57	•	•	•	•	•	C+H	
C3103747	ALLOY SKULL CLAMP		56	•	•	•	•	•	C+H	
C3103748	SWIVEL ADAPTOR		57	•	•	•	•	•	C+H	

Code	Description	Technical data	Page	Compatibility						NOTE
				Vanto	Asso	Century	40/1	30/1		
C3103749	ADULT REUSABLE SKULL PIN	N. 3 pieces kit	56	•	•	•	•	•	C+H	
C3103750	CHILD REUSABLE SKULL PIN	N. 3 pieces kit	56	•	•	•	•	•	C+H	
C3103751	CARBON FIBRE RADIOLUCENT HEAD REST SYSTEM	Disposable adult skull pins (36 pcs.) - cod. C3103807 Disposable children skull pins (36 pcs.) - cod. C3103808	57	•	•	•	•	•	R	
C3103785	ADULT HORSESHOE HEADREST		56	•	•	•	•	•	C+H	
C3103786	VACUUM MATTRESS	Dimensions 2000 x 1000 mm	12	•	•	•	•	•		
C3103787	PLASTIC LIFT PUMP FOR VACUUM MATTRESS		12	•	•	•	•	•		
C3103806	VACUUM MATTRESS	Dimensions 750 x 1000 mm	12	•	•	•	•	•		
C3103813	VACUUM MATTRESS	Dimensions 1000 x 1000 mm	12	•	•	•	•	•		
C3103821	PAEDIATRIC HORSESHOE REST		57	•	•	•	•	•	H	



OPT SurgiSystems S.r.l.

Single shareholder company, subject to management and coordination of
TKB Corporation, Tokyo, Japan

Via Cesare Battisti, 17 - 38060 CALLIANO (TN) – ITALY

Tel. +39 0464 834336 - Fax +39 0464 835142

www.opt-ita.com

*OPT SurgiSystems S.r.l. reserves the right to make technical modifications
without prior notice*

